



Backlit Slatwall® resin panels - Myer Bondi Junction, NSW

slatwall®

slatwall®

countless creative possibilities

When unlimited horizontal or vertical display flexibility is a must, ASI invented and patented Slatwall® is the number one choice for cost effective, space efficient merchandising.

Satisfying a range of display needs with ASI's customary elegance and efficiency, Slatwall® was instrumental in revolutionising merchandising, offering countless creative possibilities.

Endlessly adaptable, Slatwall®'s groove configurations across either plane are easily varied to meet specific requirements, enabling you to position your merchandise precisely where you want it. Panels are placed edge to edge, horizontal joins disappear and grooves become seamless, forming continuous display walls, showcasing your merchandise to perfection.

Our experienced design team can help you turn your display ideas into reality – just bring us your concept and our designers will show you how to make Slatwall® work for you. Create your own unique displays and zones for virtually any merchandise.



Features and Benefits

Cost effective,
space efficient

- Extensive display capacity within small or limited spaces
-

Flexible – ability
to customise

- Panels can be cut to any desired dimension
 - Panels can be routed to suit your requirements
-

Choice of materials

- Match or contrast all merchandising displays
-

Vast accessory range

- Choose from more than 100 accessories from the custom Slatwall® range
-

Grooves lined with
patented inserts

- Strong load-bearing capacity
 - Durable and attractive
-

Finishes

Slatwall® panels are available in an economical paint-ready form, or select from hundreds of high and low-pressure laminates, timber veneers and mirror finishes.

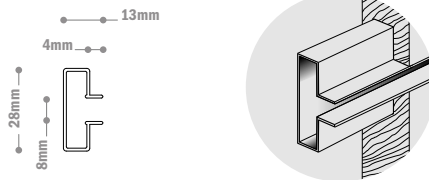
T or L shaped inserts available in mill finish aluminium or decorative PVC, supplied in a range of colours

Applications

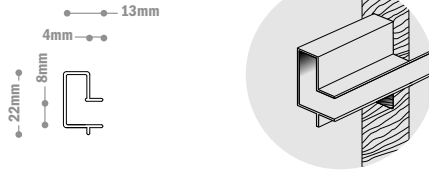
Slatwall® is ideal for wall and floor merchandising and can be incorporated into other display forms such as gondolas, column surrounds and island shelf units, as well as custom-designed displays.

Slatwall® Groove Extrusions

'T' Extrusion



'L' Extrusion



Groove Configurations

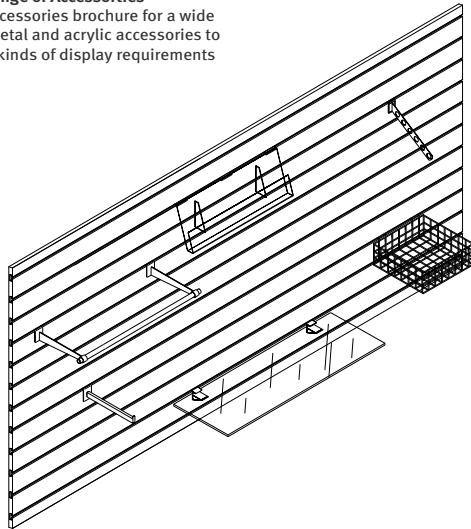
Panels can be routed on either the 1200 or 2400mm plane.

Centre to Centre Distance Between Grooves	1/2 Groove	Number of Groove
75mm		15½
100mm		11½
150mm		7½
200mm		5½

1200mm (height)
2400mm (width)

Diverse Range of Accessories

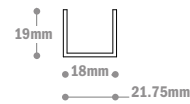
See our accessories brochure for a wide range of metal and acrylic accessories to satisfy all kinds of display requirements



Slatwall® Panel Trim

'U' Channel

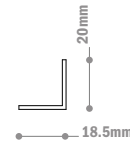
for 18mm board



*16mm U Channel available upon request

'L' Angle

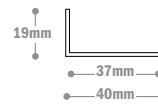
for 18mm board



*16mm L Angle available upon request

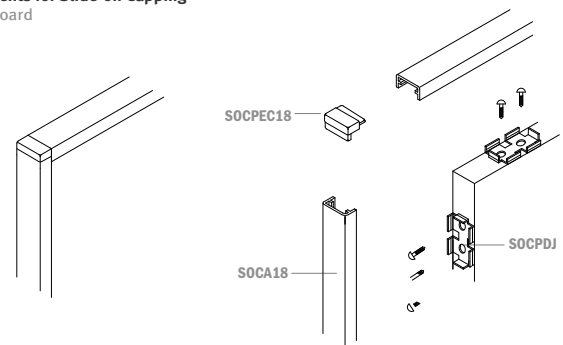
'U' Channel

for 36mm board



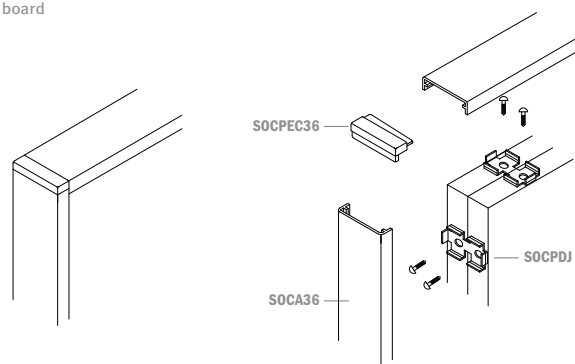
Components for Slide-on Capping

18mm board



Components for Slide-on Capping

36mm board



| National Dealer Network 1300 SLATWALL(752 892) | www.asionline.com.au | contact@asionline.com.au |

Distributed by: