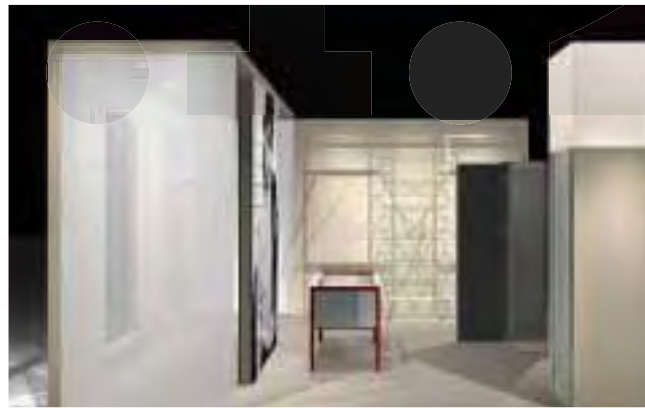
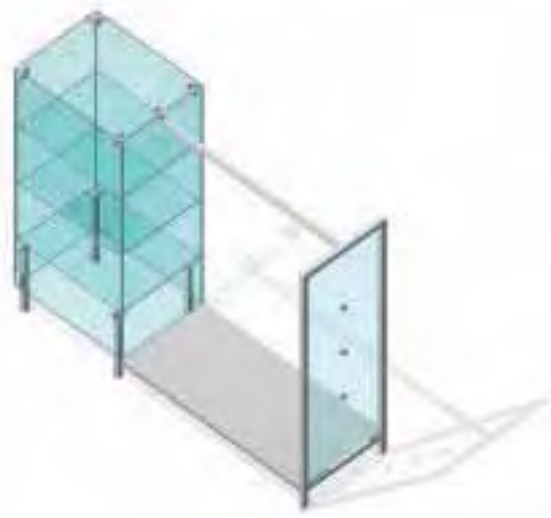


Index

| | |
|--|-----------|
| Application | 2 |
| Material Symbols | 4 |
| Suggested panel plans | 5 |
| Program overview | 6 |
| Kode Button - rear fixed backplate | 8 |
| Kode Button - front fixing backplate | 10 |
| Kode Button - double sided fixing backplate | 12 |
| Kode Rod - backplate sets | 14 |
| Steel shelving | 16 |
| Accessories | 18 |





Material Symbols

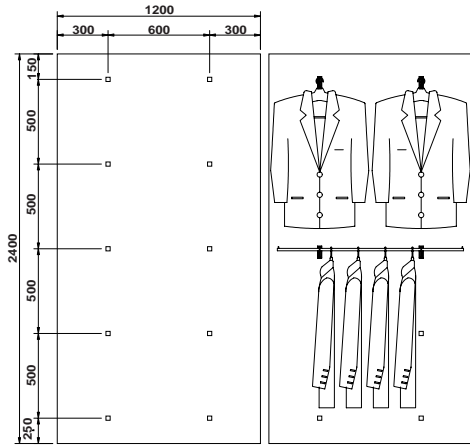


Brushed steel metal

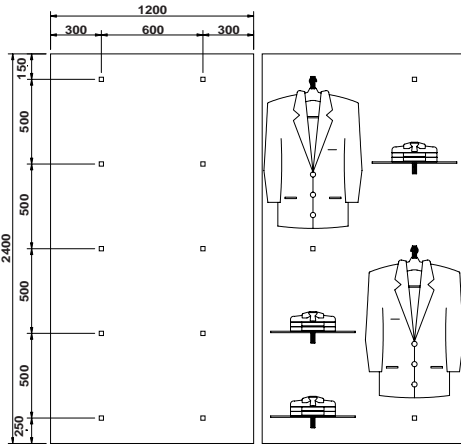


Galvanized metal

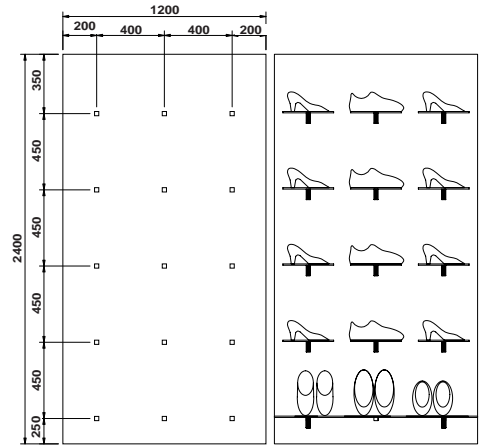
Suggested panel plans



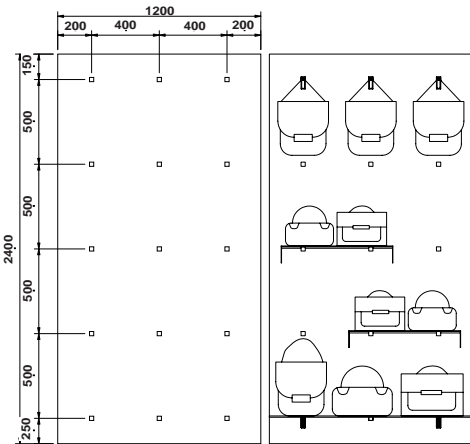
Apparel



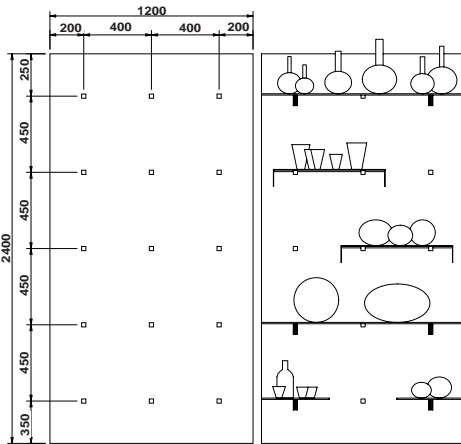
Apparel



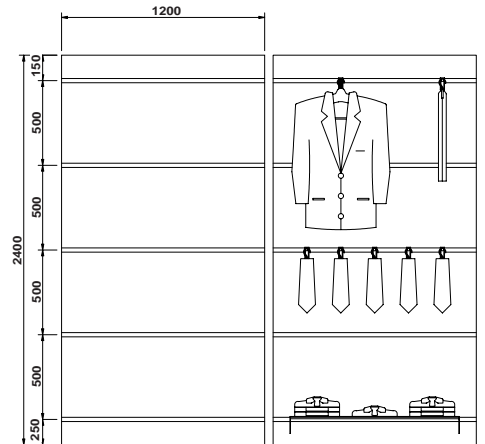
Footwear



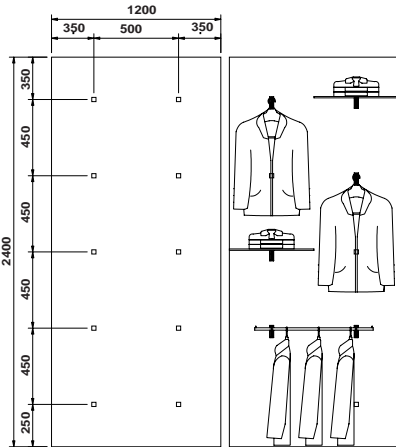
Handbags



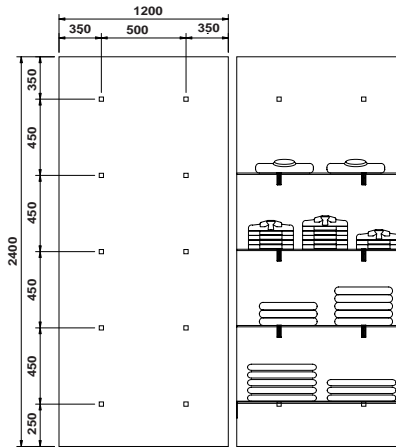
Giftware/ Homeware



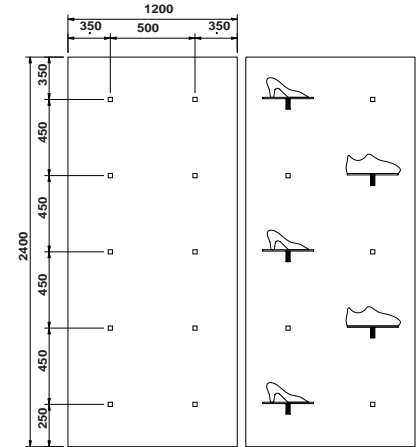
Apparel



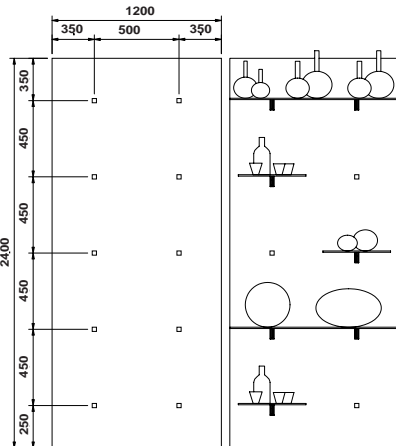
Childrens wear



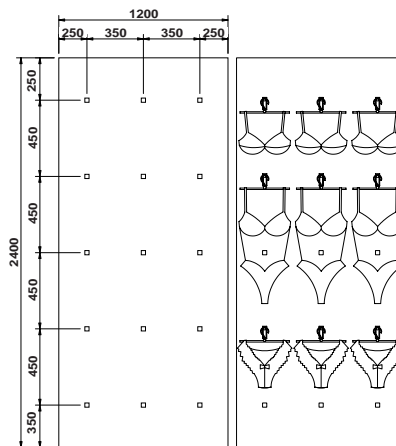
Apparel



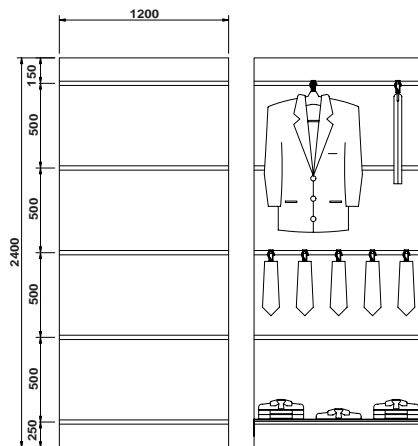
Footwear



Giftware/ Homeware



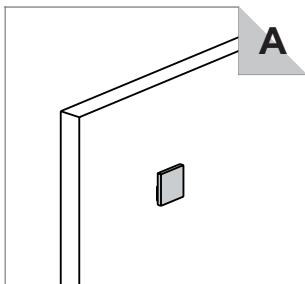
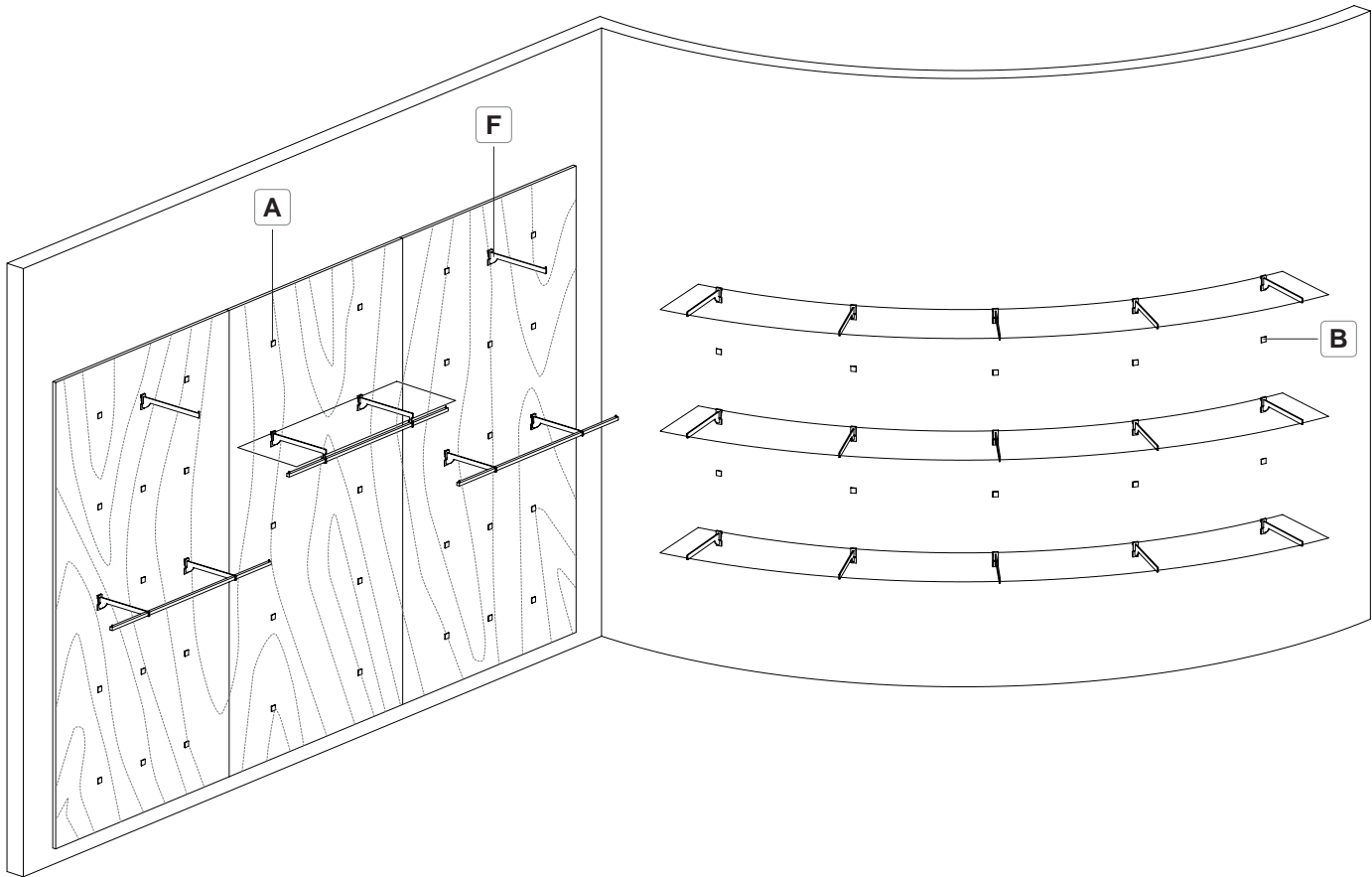
Lingerie/ Swimwear



Apparel

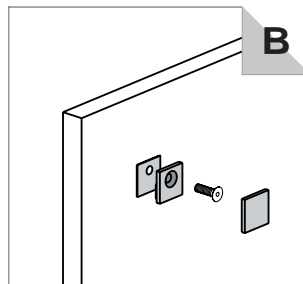
Program Overview

kode



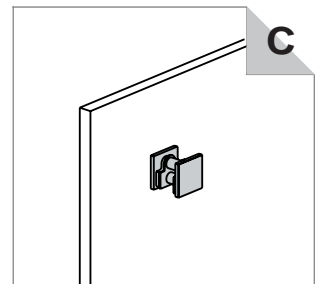
Kode Button
- rear fixed backplate

Page 8



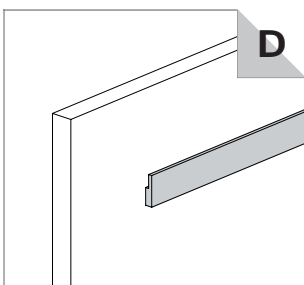
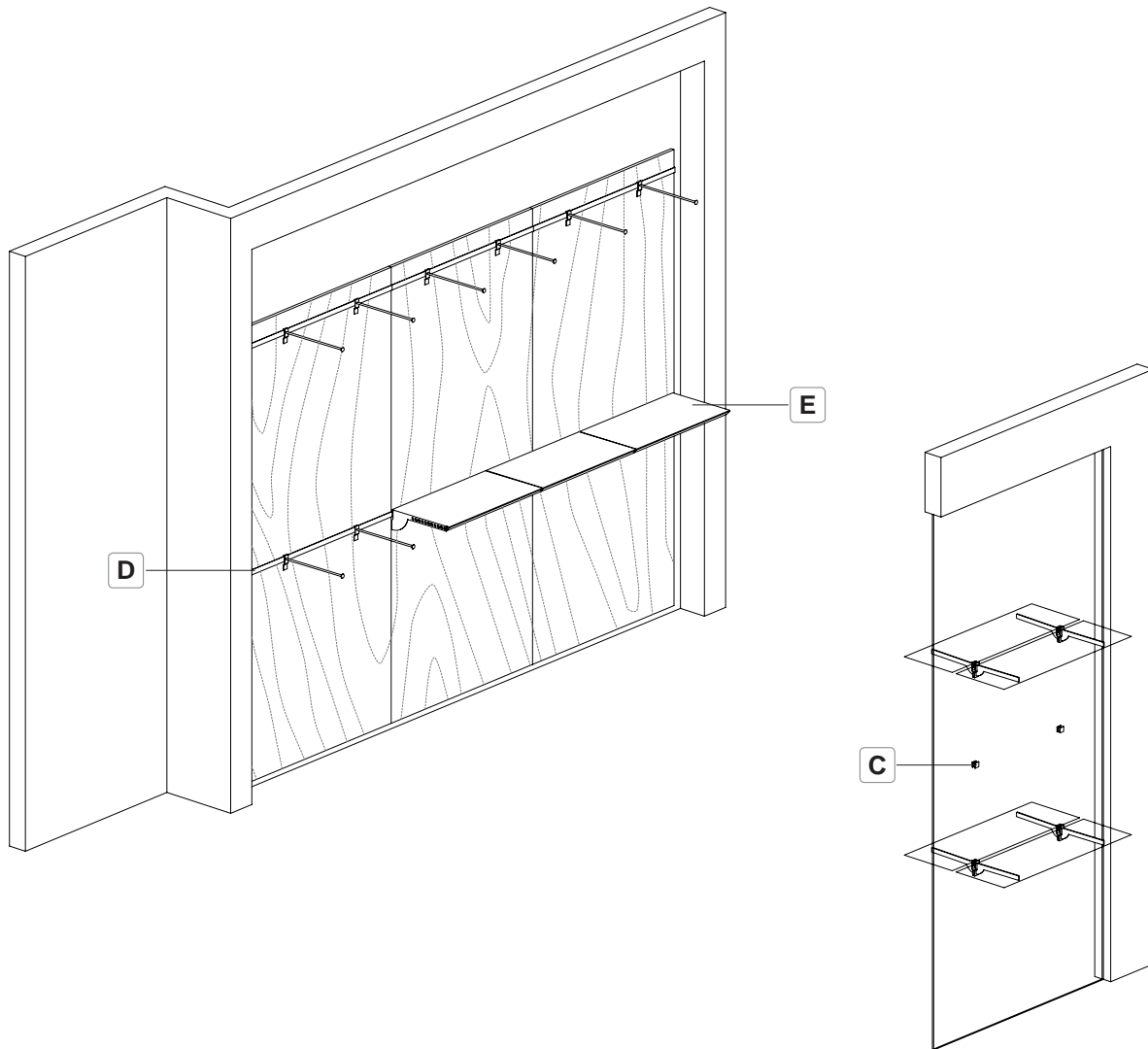
Kode Button
- front fixed backplate

Page 10



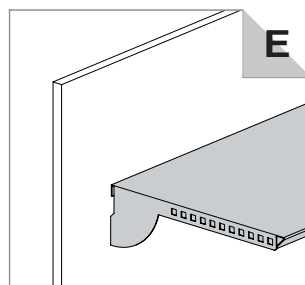
Kode Button
- double sided backplate

Page 12



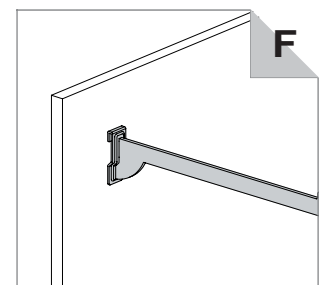
Kode Rod
- backplate sets

Page 14



Steel shelving

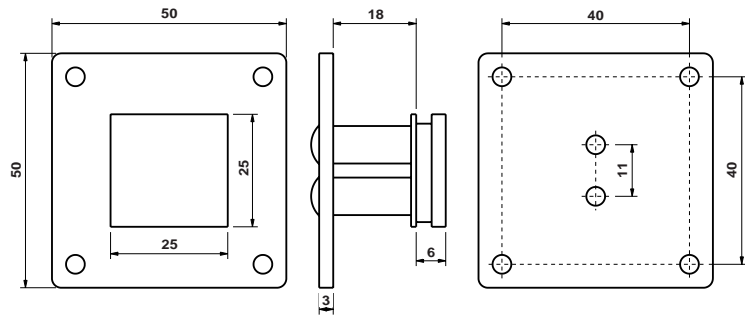
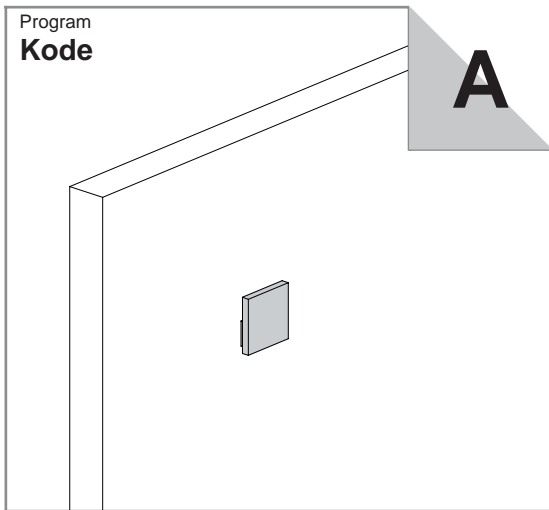
Page 16



Accessories

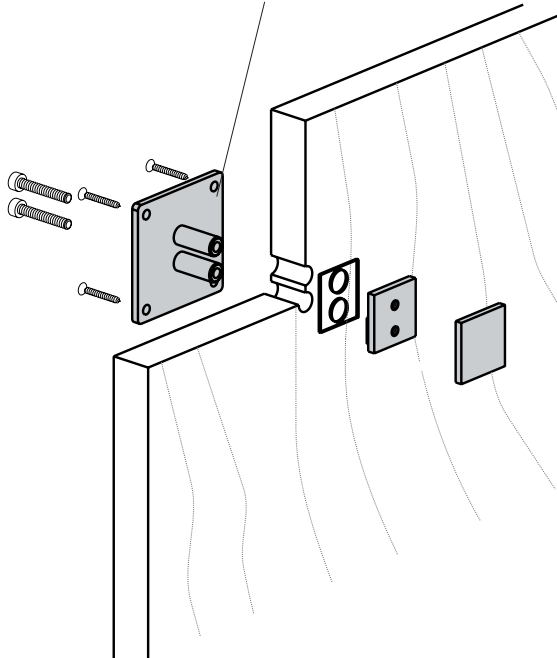
Page 18

Kode Button - rear fixed backplates



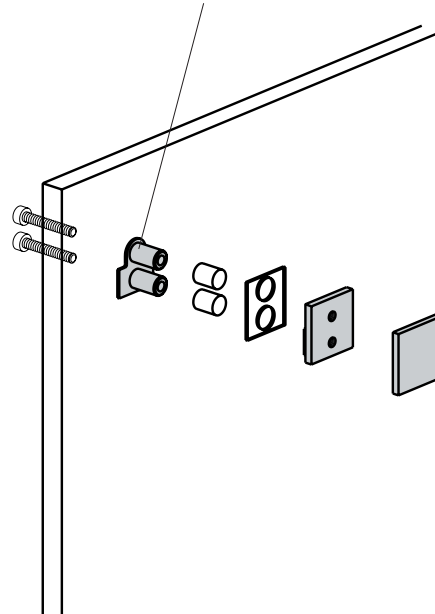
Installation instructions

Position backplate into pre-grooved perforations (see perforation details below). Secure backplate using screws.

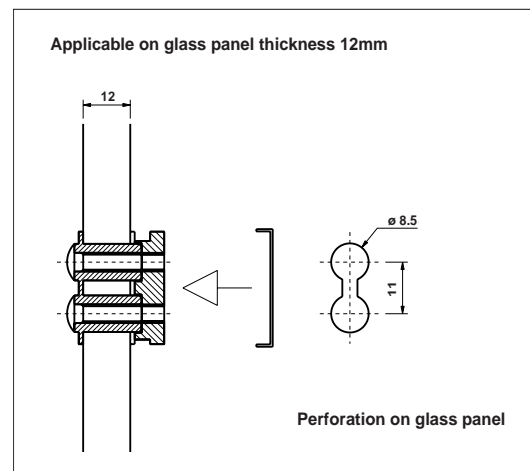
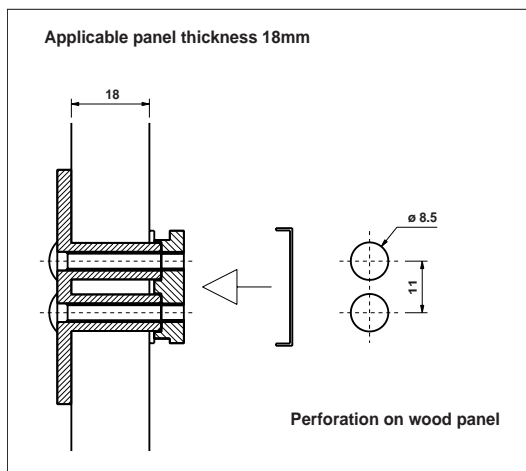


Installation on wood panels

Position backplate into pre-grooved perforations (see perforation details below). Secure backplate using screws.



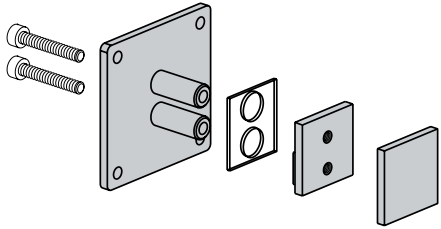
Installation on glass panels



Kode Button - rear fixed backplates

| | | | | | | | | | |
|------------------------|---------|---|---|---|------|----|----|----|----|
| Program Kode | Details | P | H | L | Code | c1 | c2 | c3 | c4 |
|------------------------|---------|---|---|---|------|----|----|----|----|

Kode Button backplate set for rear fixing to wood panels

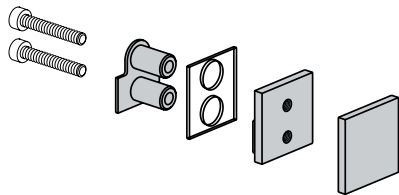


Panel thickness 18mm

25 25 1C50 011



Kode Button backplate set for rear fixing to glass panels

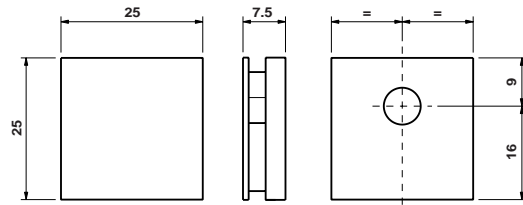
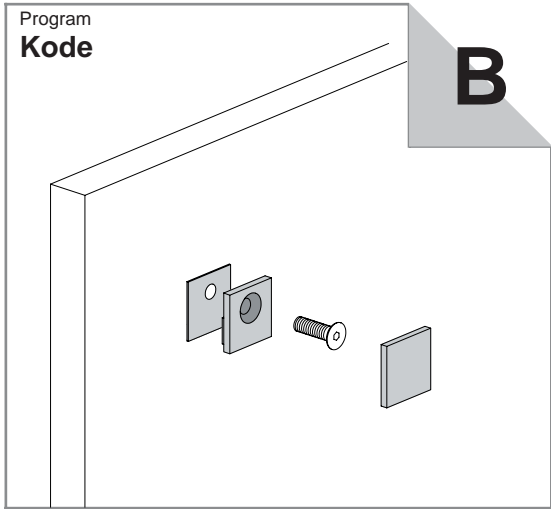


Panel thickness 12 mm

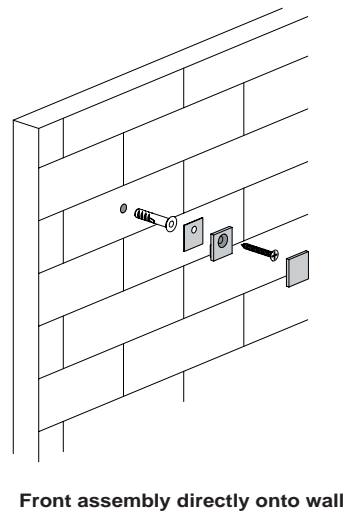
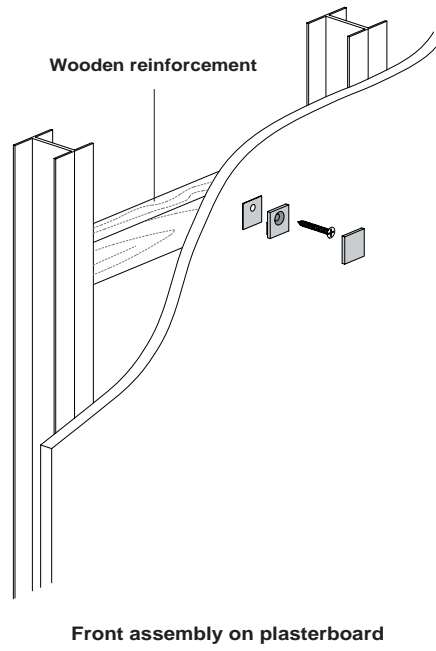
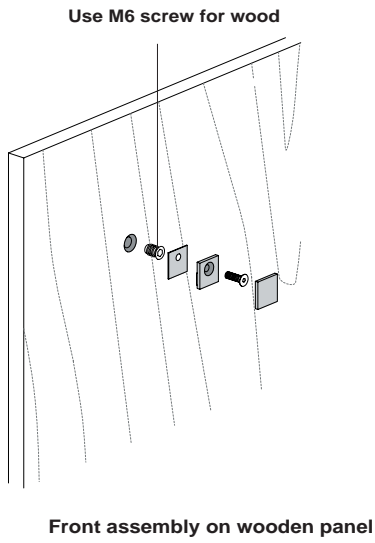
25 25 1C50 013



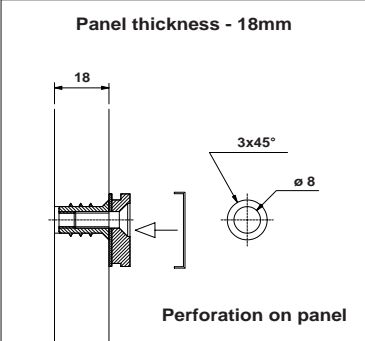
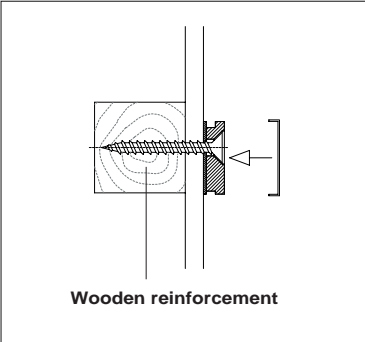
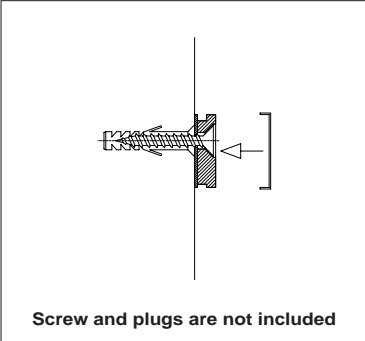
Kode Button - front fixed backplates



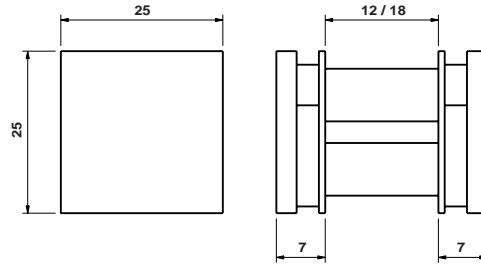
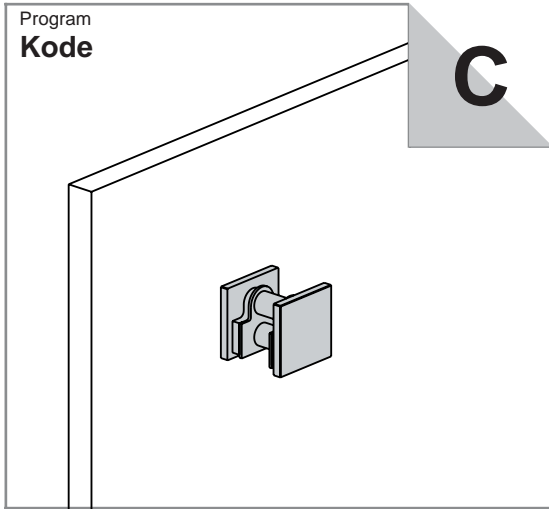
Installation instructions



Kode Button - front fixed backplates

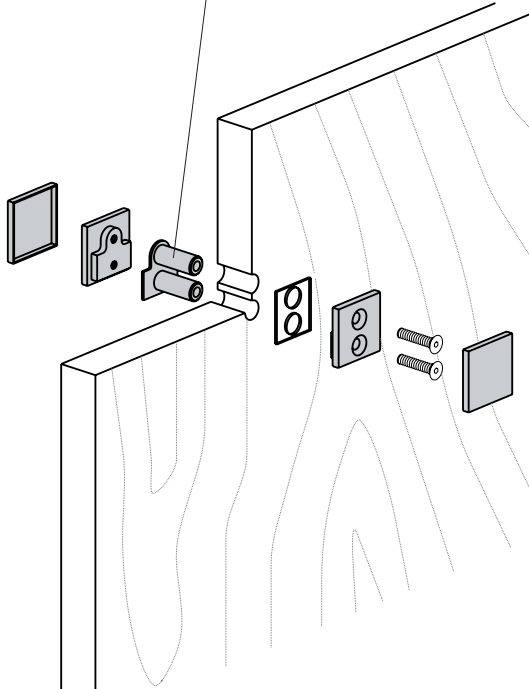
| Program Kode | Details | P | H | L | Code | c1 | c2 | c3 | c4 |
|---|--|----|----|---------|------|----|----|----|----|
| Kode Button backplate set for front fixing to wood panels |  <p>Panel thickness - 18mm</p> <p>18</p> <p>3x45°</p> <p>ø 8</p> <p>Perforation on panel</p> | 25 | 25 | 1C50003 | | ☒ | | | |
| Kode Button backplate set for front fixing to plasterboard |  <p>Wooden reinforcement</p> | 25 | 25 | 1C50004 | | ☒ | | | |
| Kode Button backplate set for front directly onto wall |  <p>Screw and plugs are not included</p> | 25 | 25 | 1C50005 | | ☒ | | | |

Kode Button - double sided fixing



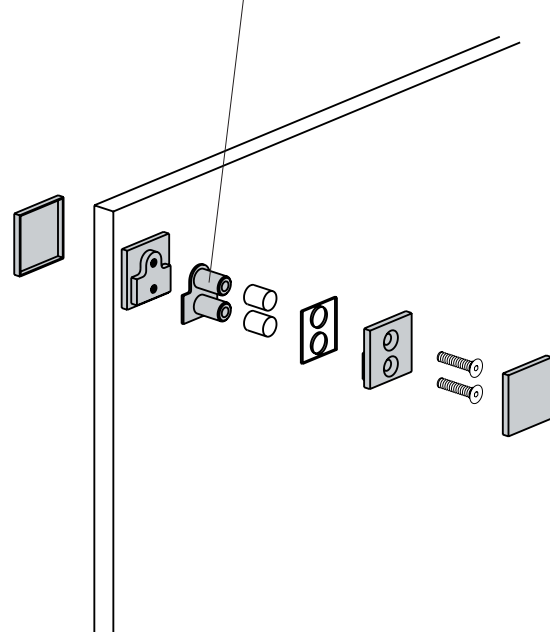
Installation instructions

Position backplate into pre-grooved perforations (see perforation details below). Secure backplate using screws.

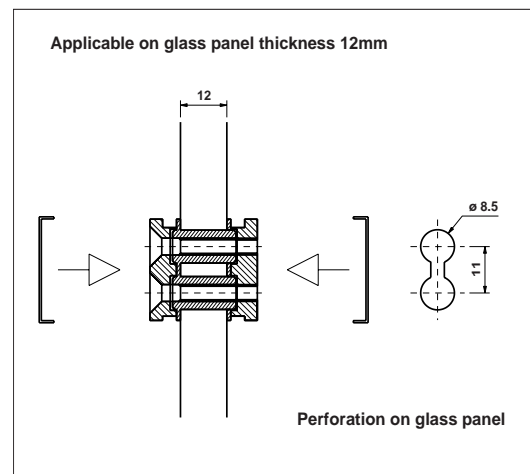
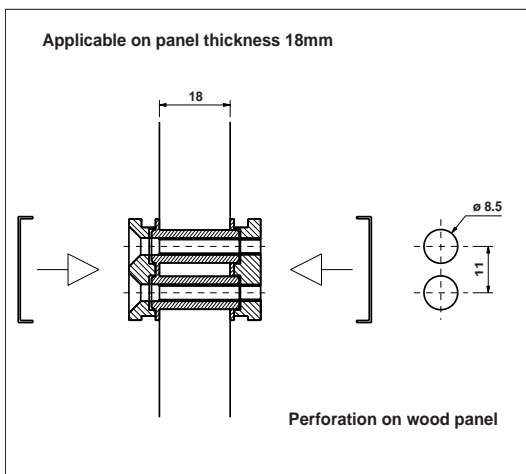


Installation on wood panel

Position backplate into pre-grooved perforations (see perforation details below). Secure backplate using screws.



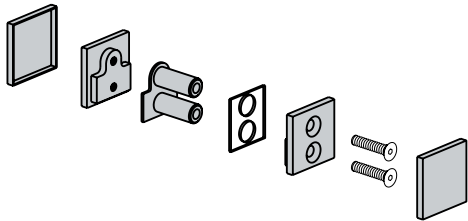
Installation on glass panel



Kode Button - double sided fixing

| | | | | | | | | | |
|------------------------|---------|---|---|---|------|----|----|----|----|
| Program Kode | Details | P | H | L | Code | c1 | c2 | c3 | c4 |
|------------------------|---------|---|---|---|------|----|----|----|----|

**Kode Button backplate set
for double sided fixing to wood panels**

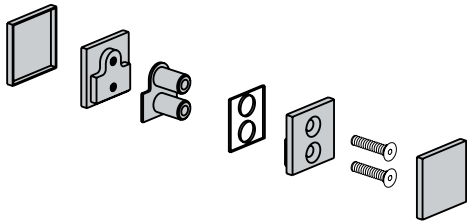


Panel thickness 18 mm

25 25 1C50 014



**Kode Button backplate set
for double sided fixing to glass panels**

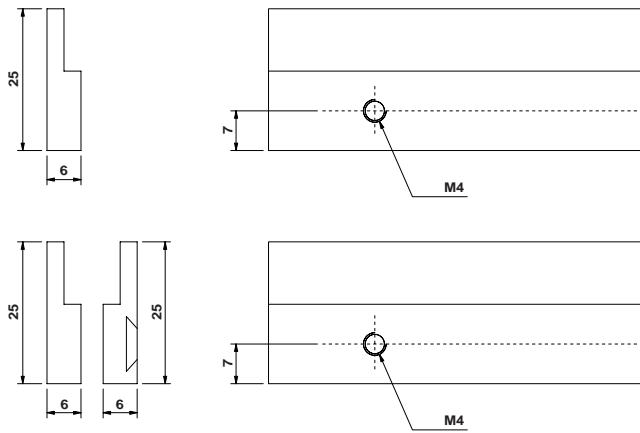
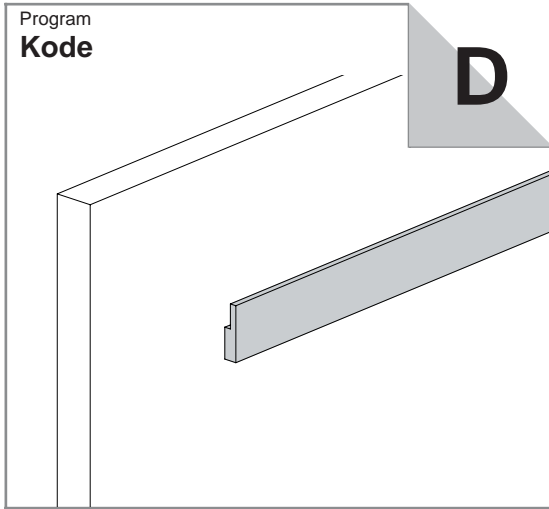


Panel thickness 12 mm

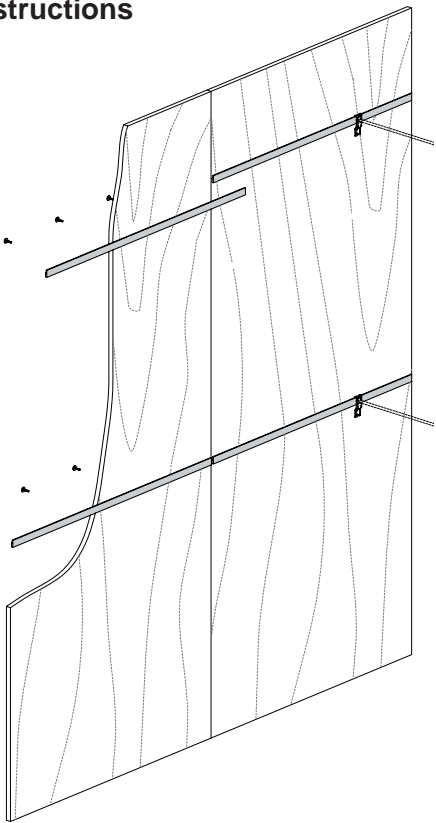
25 25 1C50 016



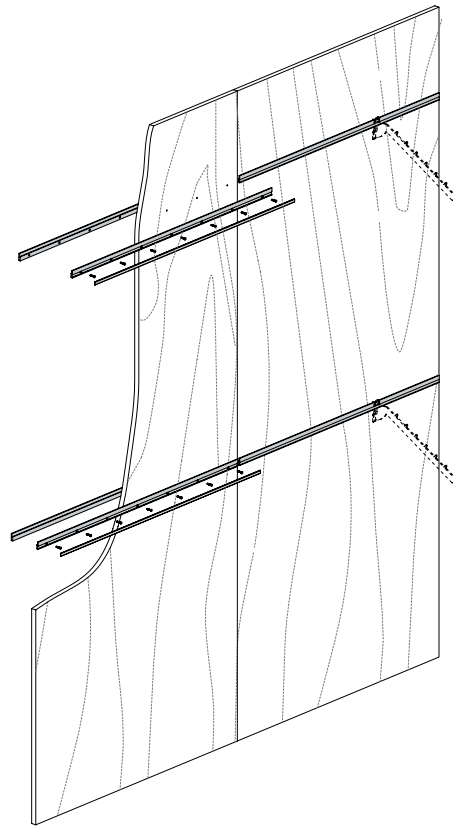
Kode Rod backplate sets



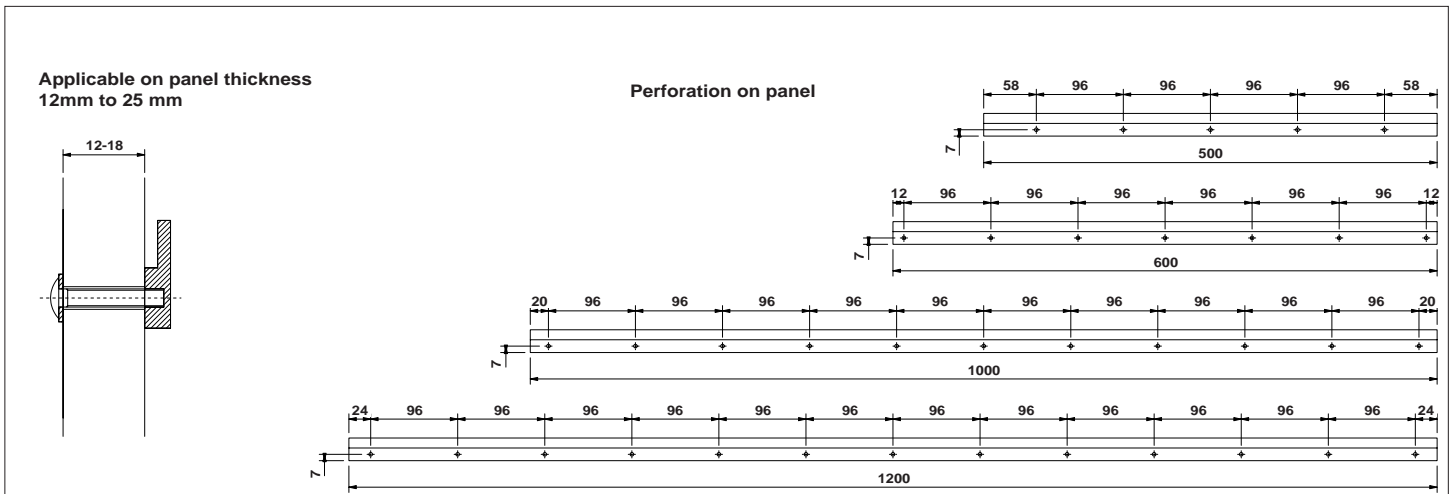
Installation instructions



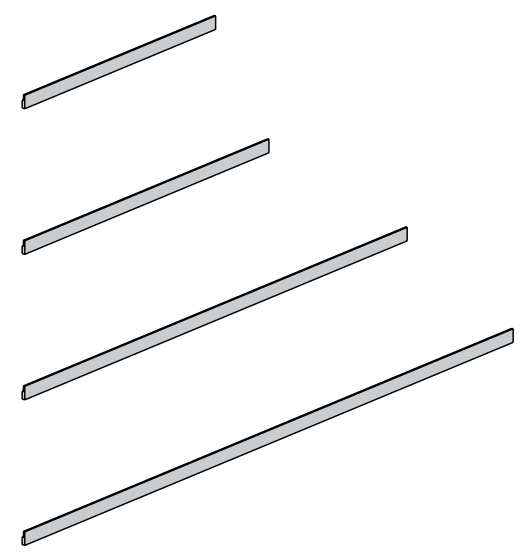
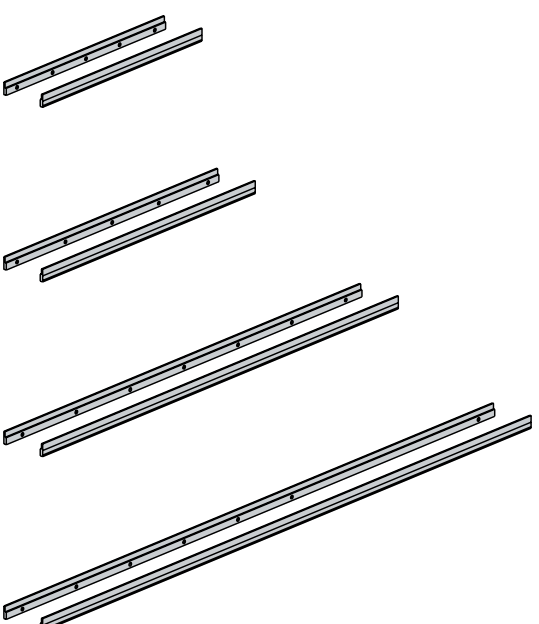
Rear assembly on panel



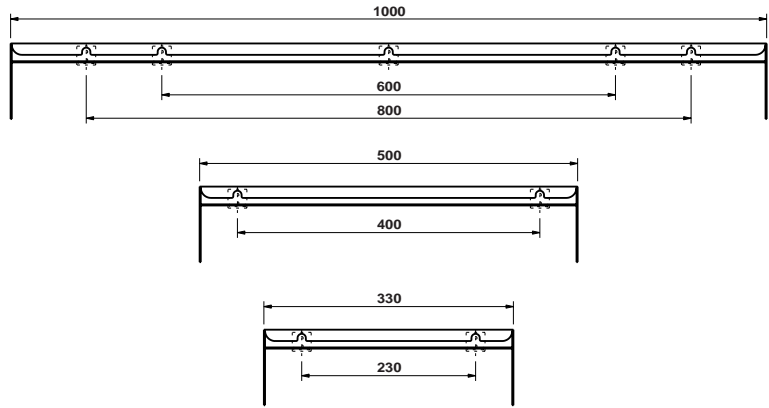
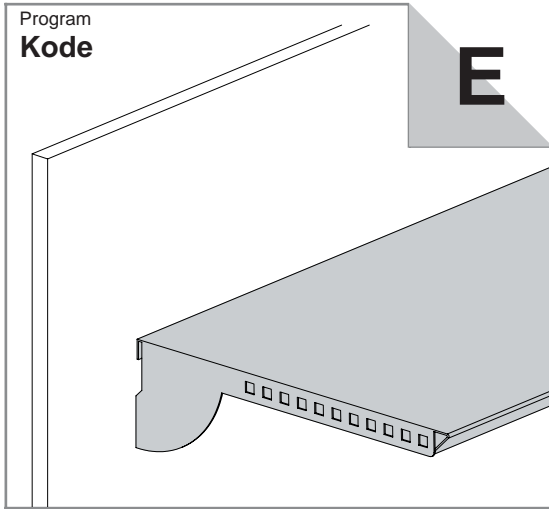
Double sided assembly on panel



Kode Rod backplate sets

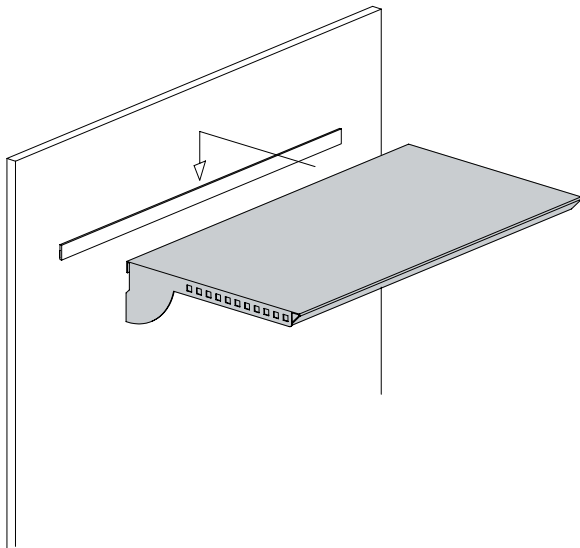
| Program Kode | Details | P | H | L | Code | c1 | c2 | c3 | c4 | | |
|--|---------|---|---|---|------|---------|-------------------------------------|-------------------------------------|-------------------------------------|--|--|
| Kode Rod backplate set for rear fixing  | | | | | | | | | | | |
| | | | | | 500 | 1C51021 | <input checked="" type="checkbox"/> | | | | |
| | | | | | | | 600 | 1C51022 | <input checked="" type="checkbox"/> | | |
| | | | | | | | 1000 | 1C51023 | <input checked="" type="checkbox"/> | | |
| | | | | | | 1200 | 1C51024 | <input checked="" type="checkbox"/> | | | |
| Kode Rod backplate set for double sided fixing  | | | | | | | | | | | |
| | | | | | 500 | 1C51025 | <input checked="" type="checkbox"/> | | | | |
| | | | | | | | 600 | 1C51026 | <input checked="" type="checkbox"/> | | |
| | | | | | | | 1000 | 1C51027 | <input checked="" type="checkbox"/> | | |
| | | | | | | 1200 | 1C51028 | <input checked="" type="checkbox"/> | | | |

Steel shelving

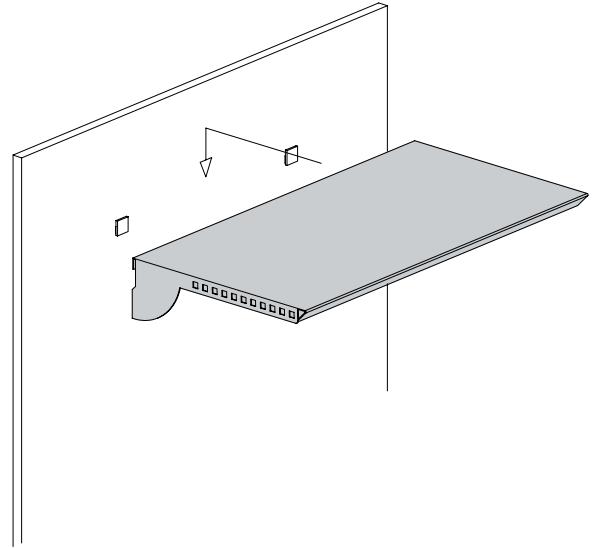


Kode Button positioning to accomodate steel shelving

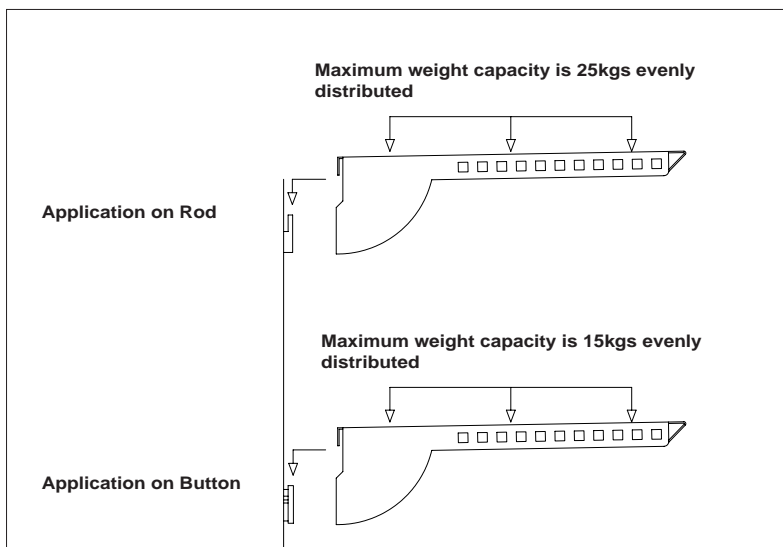
Instructions



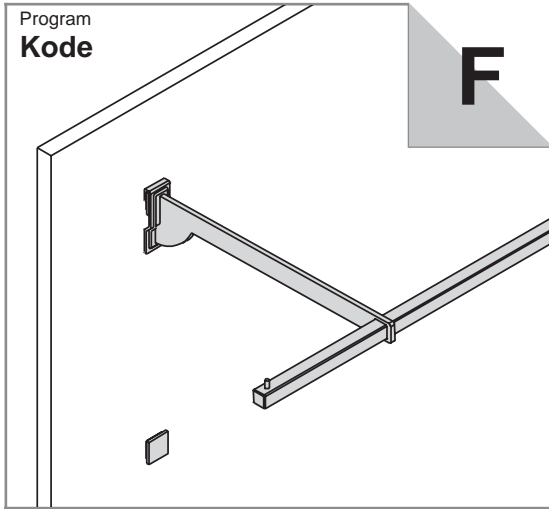
Assembly on Rod



Assembly on Button

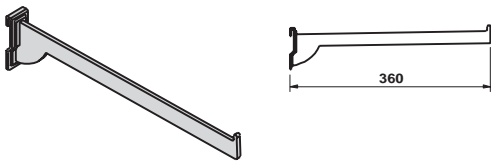


Accessories



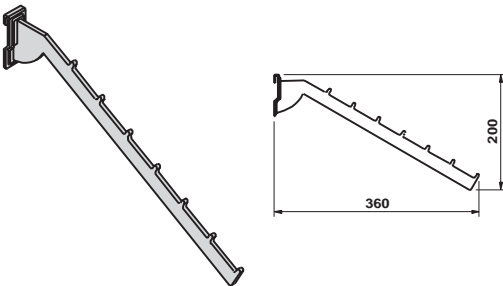
| Details | P | H | L | Code | c1 | c2 | c3 | c4 |
|---------|---|---|---|------|----|----|----|----|
|---------|---|---|---|------|----|----|----|----|

Straight Arm



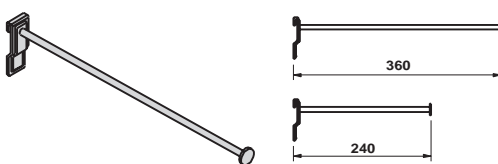
| | | | | | | | | |
|-----|--|--|--|---------|-------------------------------------|--|--|--|
| 360 | | | | 1C63003 | <input checked="" type="checkbox"/> | | | |
|-----|--|--|--|---------|-------------------------------------|--|--|--|

Waterfall Arm



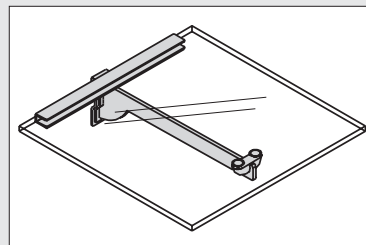
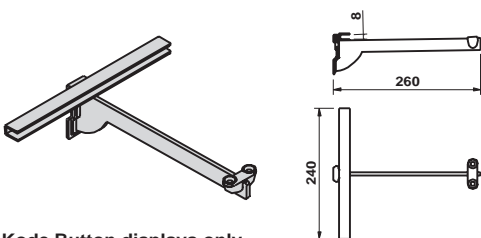
| | | | | | | | | |
|-----|-----|--|--|---------|-------------------------------------|--|--|--|
| 360 | 200 | | | 1C63004 | <input checked="" type="checkbox"/> | | | |
|-----|-----|--|--|---------|-------------------------------------|--|--|--|

Straight Arm with end disk



| | | | | | | | | |
|-----|--|--|--|---------|-------------------------------------|--|--|--|
| 360 | | | | 1C63005 | <input checked="" type="checkbox"/> | | | |
| 240 | | | | 1C63006 | <input checked="" type="checkbox"/> | | | |

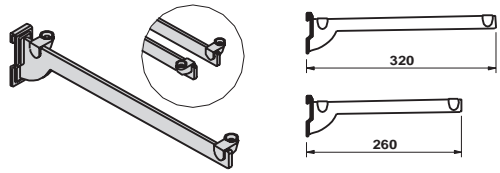
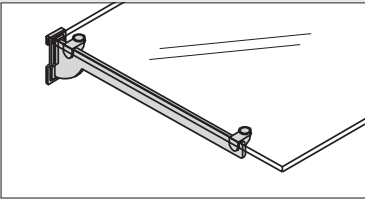
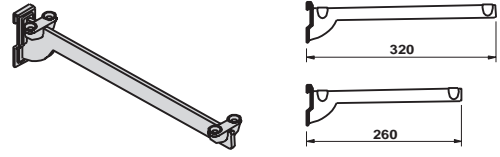
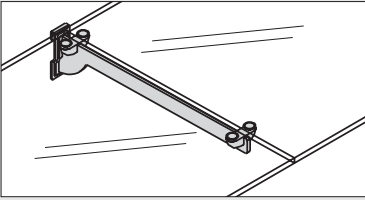
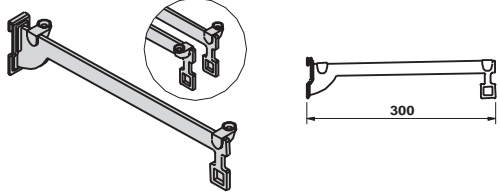
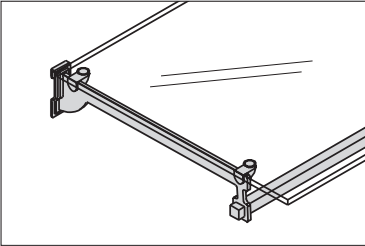
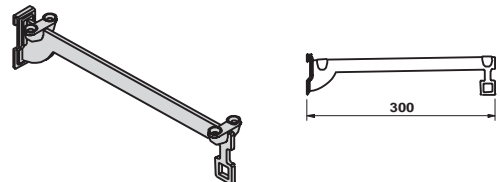
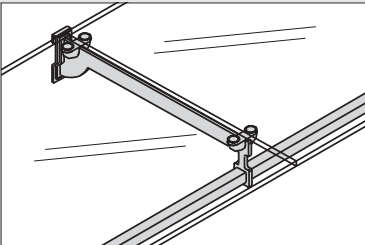
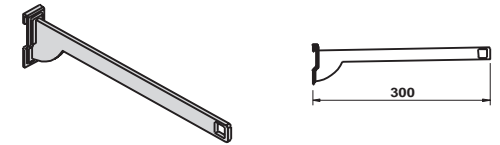
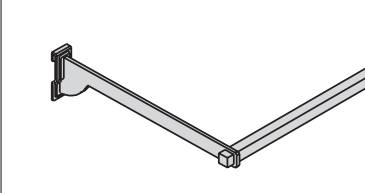
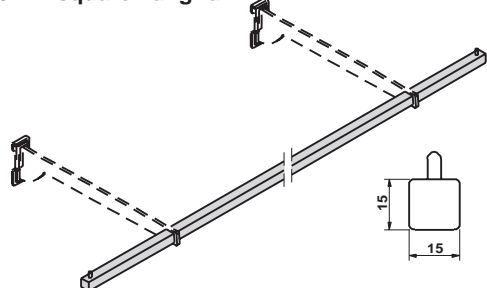
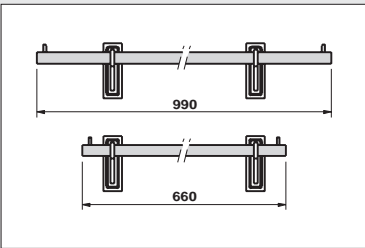
T-Section 8mm glass shelf support



| | | | | | | | | |
|-----|-----|--|--|---------|-------------------------------------|--|--|--|
| 260 | 240 | | | 1C63028 | <input checked="" type="checkbox"/> | | | |
|-----|-----|--|--|---------|-------------------------------------|--|--|--|

For Kode Button displays only

Accessories

| Program Kode | Details | P | H | L | Code | c1 | c2 | c3 | c4 |
|--|--|-----|---|-----|---------|----|----|----|----|
| Shelf bracket with end clip & grommit (Left or Right)  |  | 320 | | | 1C63032 | | ☒ | | |
| | | 260 | | | 1C63033 | | ☒ | | |
| Shelf bracket with centre clip & grommit  |  | 320 | | | 1C63034 | | ☒ | | |
| | | 260 | | | 1C63035 | | ☒ | | |
| Shelf bracket with end clip & grommit (Left or Right) with hang rail support  |  | 300 | | | 1C63036 | | ☒ | | |
| | | | | | | | | | |
| Shelf bracket with centre clip & grommit with hang rail support  |  | 300 | | | 1C63037 | | ☒ | | |
| | | | | | | | | | |
| Hang rail support arm  |  | 300 | | | 1C63009 | | ☒ | | |
| | | | | | | | | | |
| 15mm square hang rail  |  | | | 990 | 1C63011 | | ☒ | | |
| | | | | 660 | 1C63012 | | ☒ | | |