

climb



climb

the discreet wall-hanging ladder system

Wherever a minimalist aesthetic is required, the revolutionary Climb vertical wall merchandising system creates a seamless surface to allow maximum product impact.

Climb's miniature aluminium ladder can be attached directly to any surface or can be set unobtrusively between two panels for a flush, minimalist effect where the ladder virtually disappears.

Changeable coloured laminate infills can be selected to complement your merchandise or match your panel to obtain a discreet one-colour effect. Climb's own range of accessories can be attached to the ladder for versatile merchandising solutions.

Features & Benefits

Variety of sizes available

- Profiles available in a variety of lengths or can be cut to suit

Minimalist aesthetic

- Creates a seamless merchandising surface
- Coloured laminate infills blend into panel and can be changed as often as required
- Creates a simple miniature ladder effect running up the wall
- Infill strip conceals screw fixings

Own range of accessories

- Straight, cranked or waterfall arms, shelving brackets, hang rails, glass shelves, wire grid panels and shelving

Made from Aluminium

- Will not rust and is recyclable
- Lightweight

Finishes

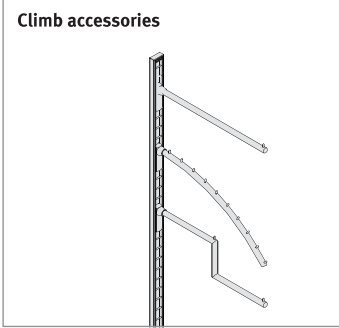
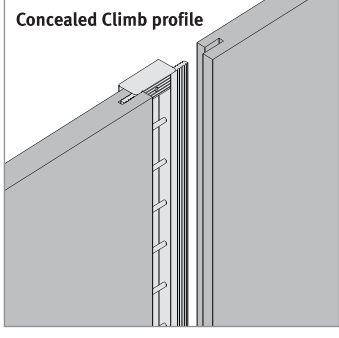
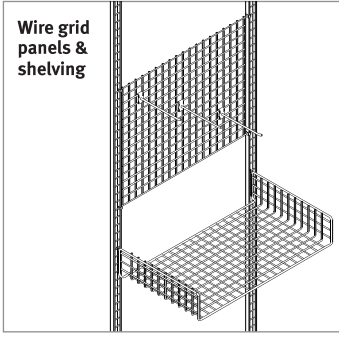
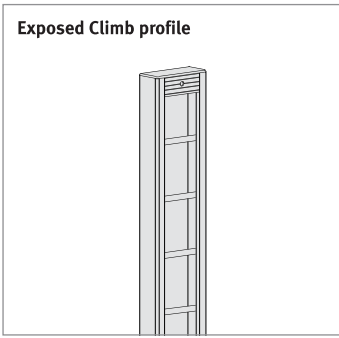
- Clear anodised aluminium
- Laminate infill strip can be customised in a variety of colours

Applications

- Suitable for any wall or freestanding fixture where a minimalist effect is required
- Ideal for fashion merchandising







| National Dealer Network 1300 SLATWALL | www.asionline.com.au | contact@asionline.com.au |

Distributed by:

Slatwall®, Eyeline®, PostPlus®, Cable®, Puck®, Slatmesh®, Ultrapuck® and Tile® are all Registered Trademarks of Trishul Pty Limited with patents granted or pending worldwide for the products along with Minimo, Mini Minimo and Smartrack. ASI (VIC) Pty Limited reserves the right to revise the brochure and all specifications contained herein without notice. Dimensions where stated are in millimetres and are nominal. © 2006 ASI (VIC) Pty Limited