

**merchandising
hardware
and accessories**



Care and use of Acrylic and Metal Accessories

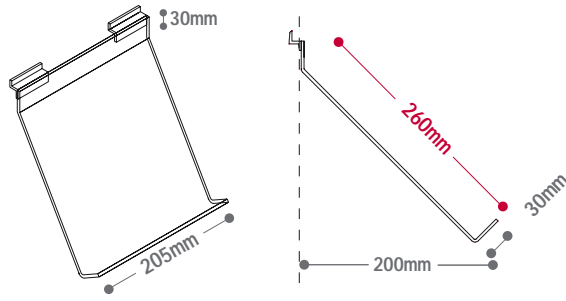
All ASI acrylic and metal accessories are produced to a very high standard of quality. To obtain maximum life from your accessories please observe the following:

1. Should heavy objects need to be merchandised, metal accessories are recommended rather than acrylic.
 2. Timber panels can be damaged if treated harshly. When placing or removing accessories, care should be taken to avoid scratching or chipping of the panel.
 3. Acrylic accessories should be cleaned with an anti-static acrylic cleaner such as AKU, available from ASI.
 4. Most metal accessories are chrome-plated. Any good chrome polish is recommended when undertaking any cleaning.
 5. Acrylic is a fragile material but if treated with care, acrylic accessories will last indefinitely. When placing in grooves, do not force the backplate but ease it in or out gently.
 6. Fittings being used with Eyeline may require small lugs (supplied) to be placed on the back of the fitting.
-

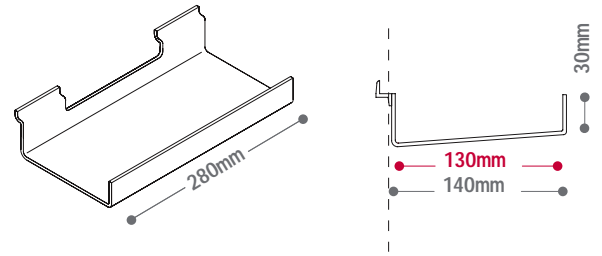
contents

	Page
Genuine Acrylic Fittings	2
Genuine Metal Fittings	6
Budget Fittings	10
Concealed Stripping Fittings	11
Minimo Fittings	12
Mini Minimo Fittings	13
Ultrapuck Fittings	14
Merchandising	16

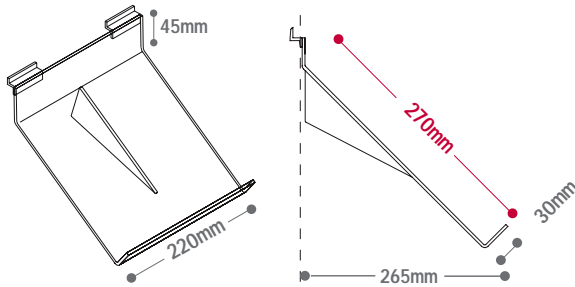
Sloped Display Shelf with 30mm lip
SWUS1



Flat Display Shelf with 30mm lip
SWU280L

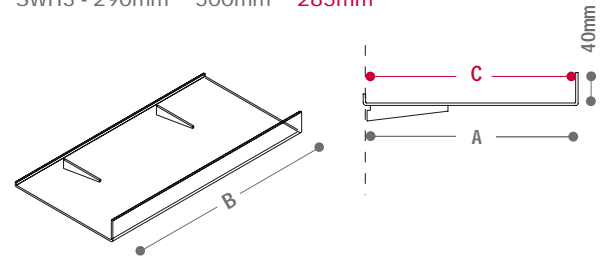


Sloped Display Shelf with 30mm lip and support
SWUS

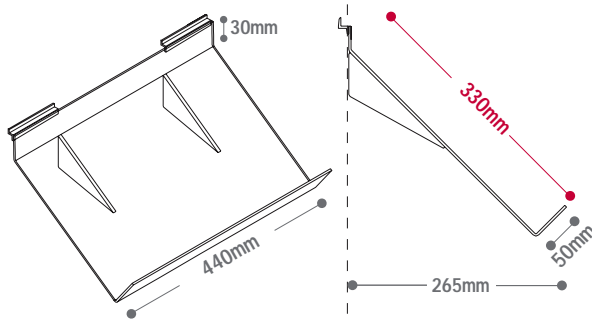


Flat Display Shelves with 40mm lip

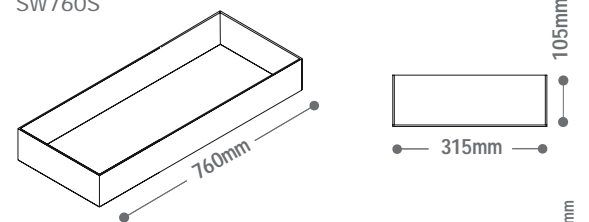
	A	B	C
SWH1	150mm	500mm	145mm
SWH2	250mm	500mm	245mm
SWH3	290mm	500mm	285mm



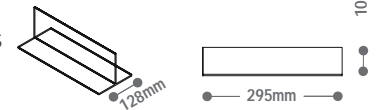
Sloped Display Shelf with 50mm lip and supports
SWUS2



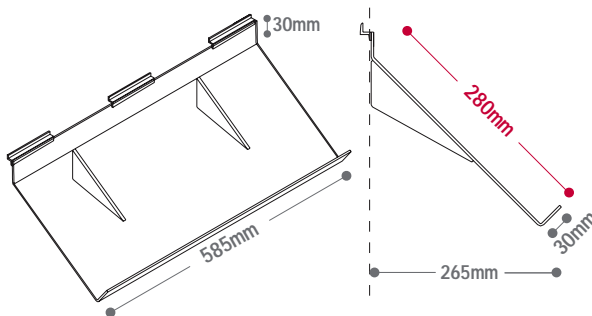
Display Tray for use with straight or sloping shelf brackets
SW760S



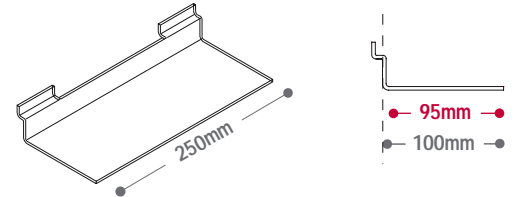
Divider for SW760S
SW760D



Sloped Display Shelf with 30mm lip and supports
SWC21

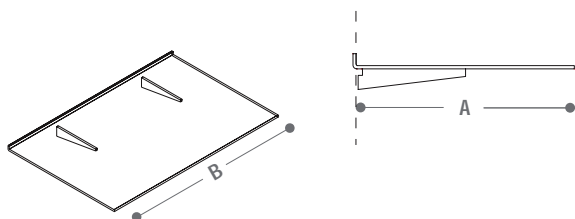


Flat Display Shelf
SWU1

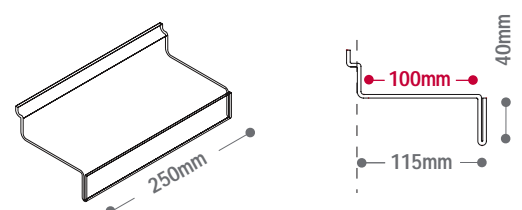


Flat Display Shelves with supports

	A	B
SWU2	200mm	400mm
SWU3	240mm	380mm
SWU4	260mm	400mm

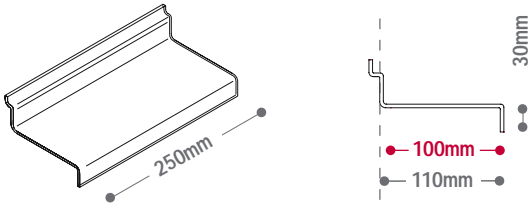


Flat Display Shelf with slide in 35mm ticketing lip
SWU1LT

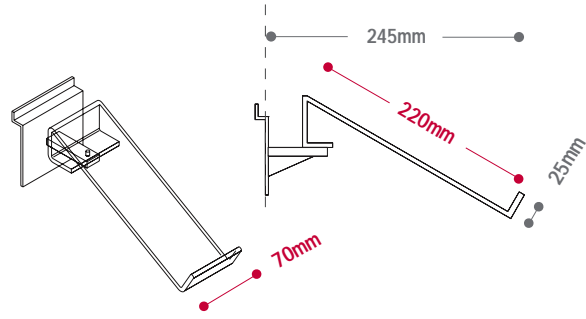


• wall
• merchandising dimension

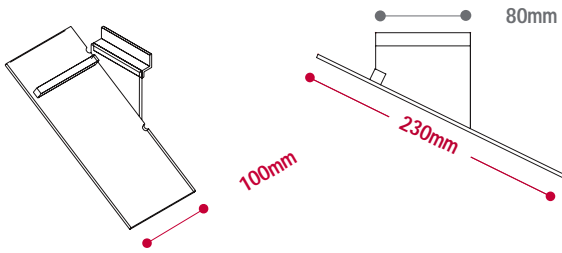
Flat Display Shelf with 30mm ticketing lip
SWU1L



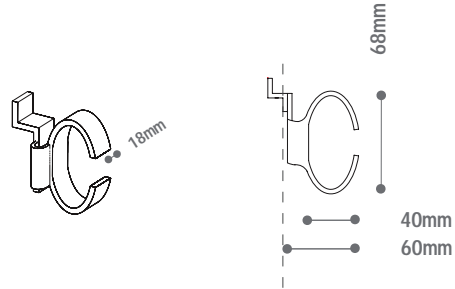
Swivel Shoe Display - toe stop
SW830



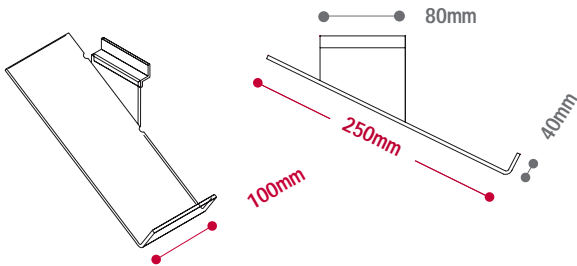
Sloped Shoe Shelf - heel stop
SWS2HL - left
SWS2HR - right



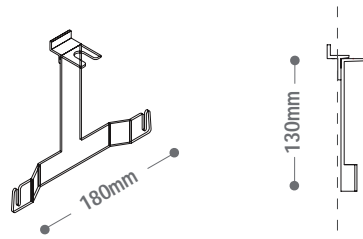
Watch Holder
SWWH1



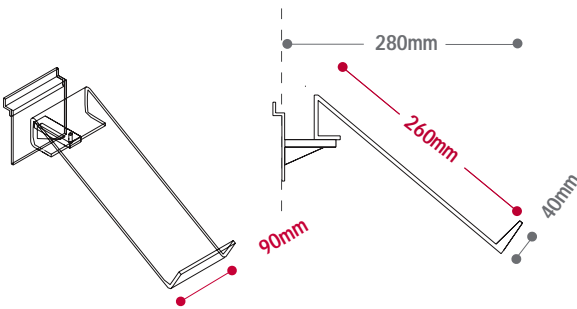
Sloped Shoe Shelf - toe stop
SWS2TL - left
SWS2TR - right



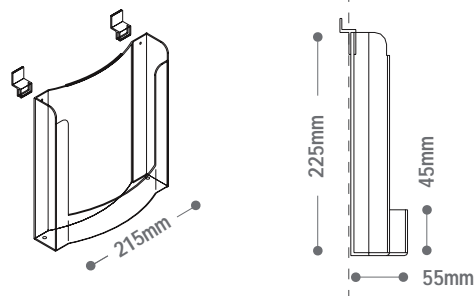
Cap Holder
SWCAPH



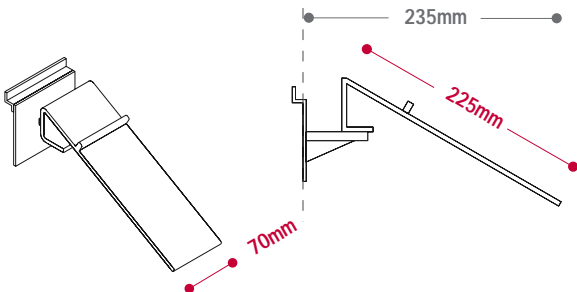
Swivel Shoe Fitting - toe stop
SWKF03



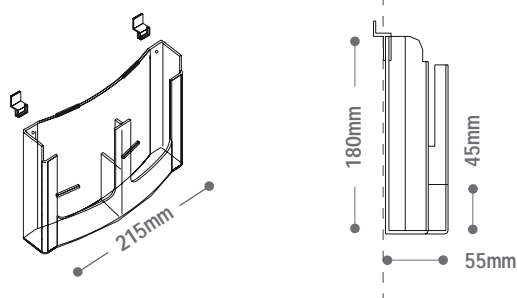
Task A4 Brochure Holder
SWA4C



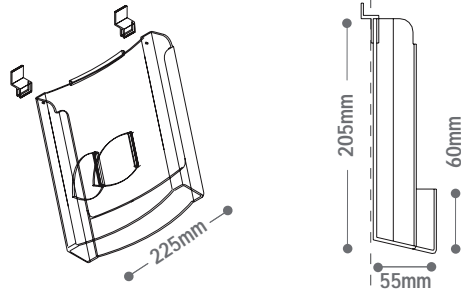
Swivel Shoe Display - heel stop
SW825



Task Trifold Brochure Holder
SWTFC

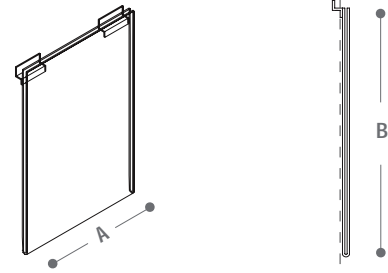


Task US Letter/A4 Brochure Holder
SWUSLC

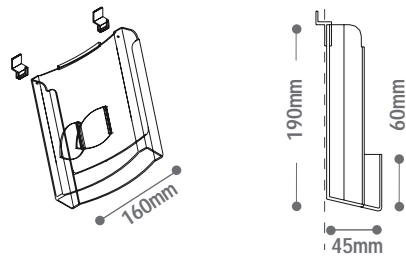


Signholders

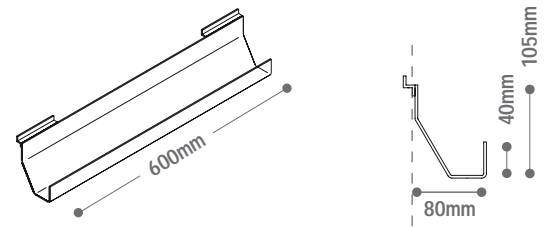
	A	B		A	B
SWSHA5 -	150mm	215mm	SWSHA3 -	300mm	425mm
SWSHA4 -	210mm	300mm			



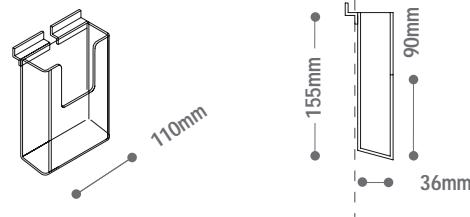
Task A5 Brochure Holder
SWA5C



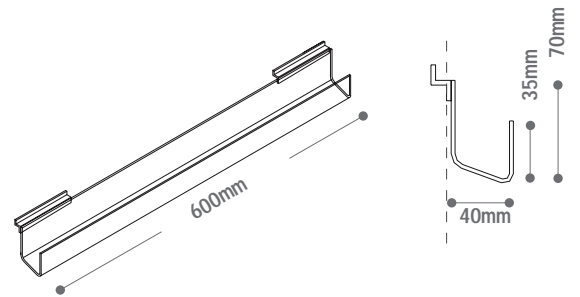
Card Holder with sloped back and 40mm lip
SWCH1



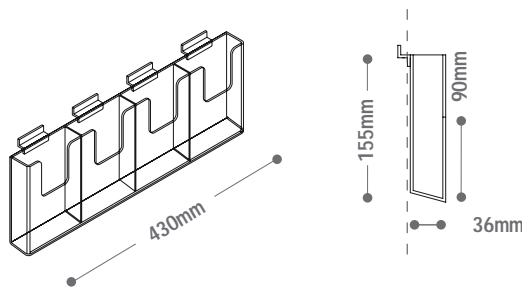
Brochure Holder - DL
SWA2



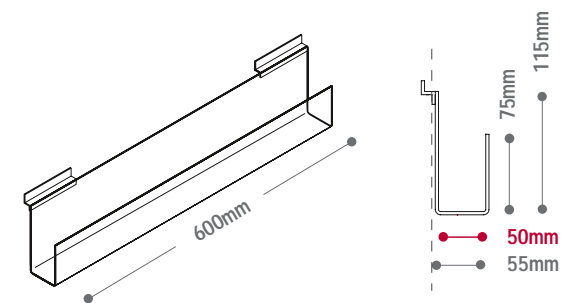
Card Holder with 35mm lip
SWCH2



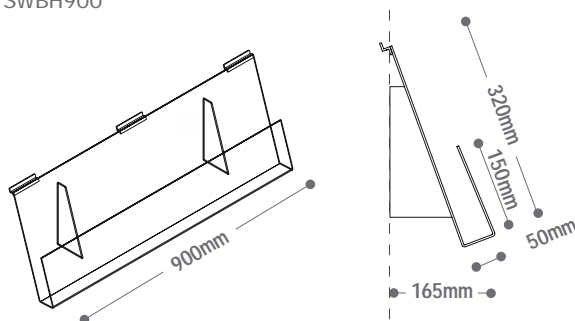
Brochure Holder - 4 x DL
SWBH4A2



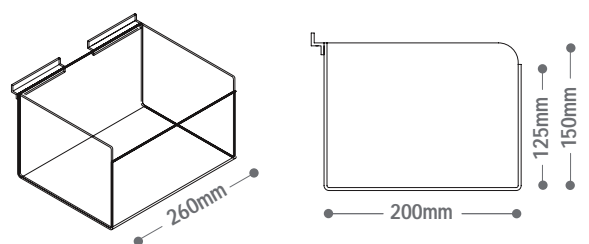
Video Holder with 75mm lip
SWVH600



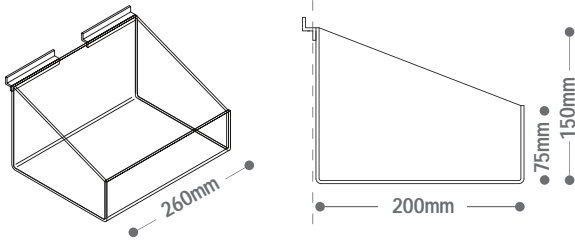
Brochure Holder with 150mm lip
SWBH900



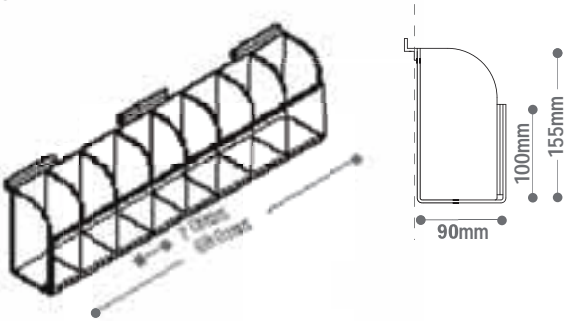
Bin with front
SWC10



Bin with cut away sides
SWC12

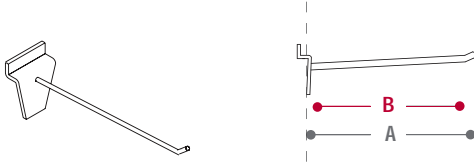


8 Section Bin with curved front
SWPENBIN



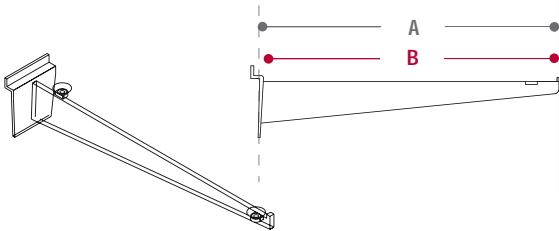
PVC Prongs

	A	B
SWPVC100B	105mm	90mm (Black)
SWPVC100W	105mm	90mm (White)
SWPVC150B	155mm	140mm (Black)
SWPVC150W	155mm	140mm (White)

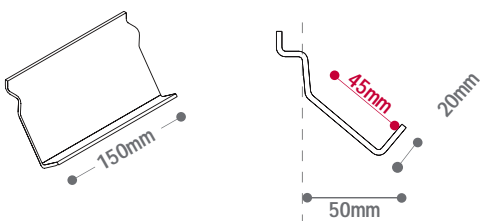


Clear Plastic Shelf Brackets

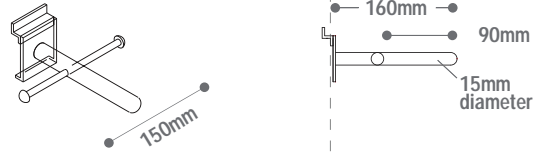
	A	B
SWSB250P	270mm	255mm
SWSB300P	320mm	305mm
SWSB350P	370mm	355mm



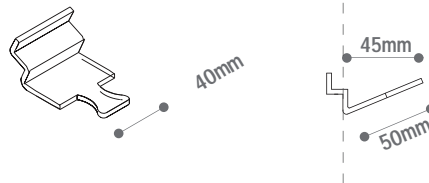
Spectacle Shelf
SWS1



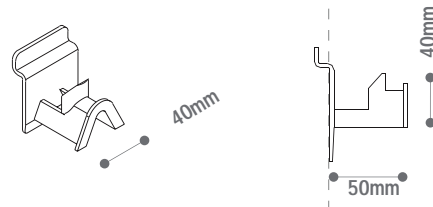
Spectacle Holder
SWS2



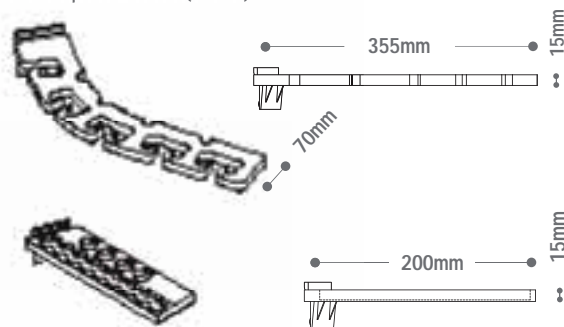
Spectacle Holder
SWS3



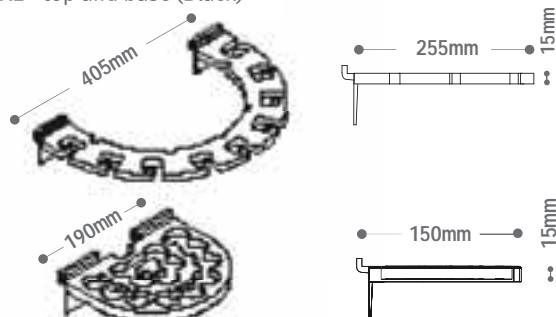
Spectacle Holder
SW159



Clubrax Faceout - up to 13 clubs
CX1 - top and base (Black)

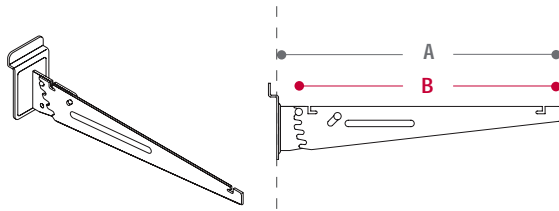


Clubrax Semi-circle - up to 14 clubs
CX2 - top and base (Black)



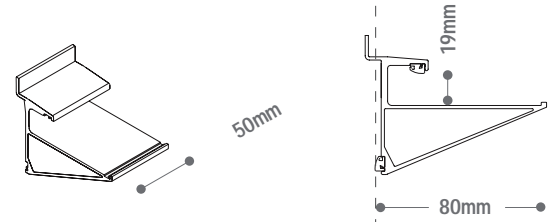
Adjustable Shelf Brackets

	A	B
SWADJ250C - 275mm		255mm
SWADJ300C - 325mm		305mm
SWADJ350C - 375mm		355mm
SWADJ400C - 425mm		405mm



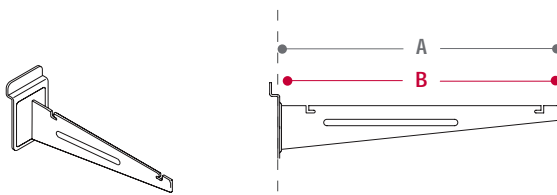
Aluminium Shelf Clip for 16 or 18mm timber shelves

SWSC2



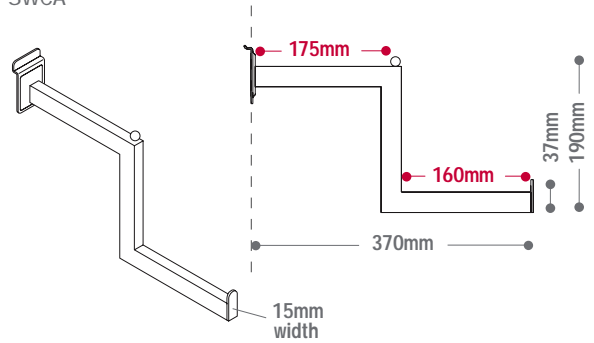
Straight Shelf Brackets

	A	B	A	B
SWSB150C - 165mm		155mm	SWSB300C - 315mm	305mm
SWSB200C - 215mm		205mm	SWSB350C - 365mm	355mm
SWSB250C - 265mm		255mm	SWSB400C - 415mm	405mm



Cranked Arm

SWCA



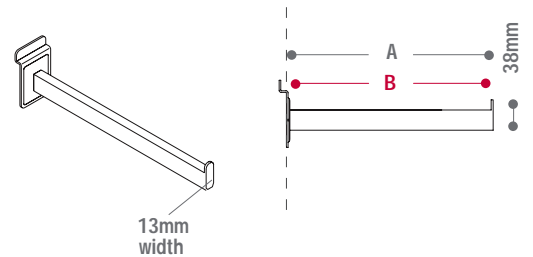
End Stop for use with Adjustable Shelf Brackets

SWGSTOP



Straight Arms

	A	B
SWSA - 255mm		245mm
SWSA300 - 305mm		295mm



Clip and Grommets for shelf brackets

CL-GR - Single clip and grommet

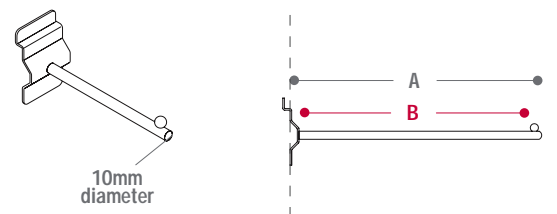


DCL-GR - Double clip and grommet



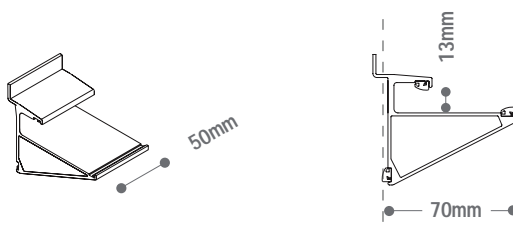
Straight Faceout Arms

	A	B
EFF10150 - 160mm		135mm
EFF10300 - 310mm		285mm



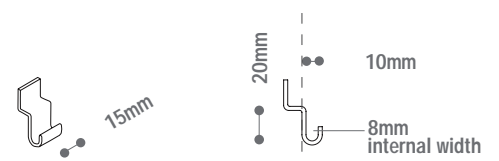
Aluminium Clip for 6, 8 or 10mm glass shelves

SWSC1

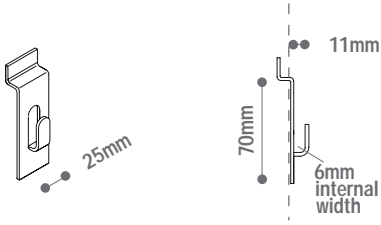


Aluminium Picture Hook

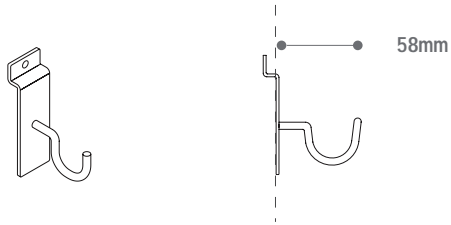
EFPH



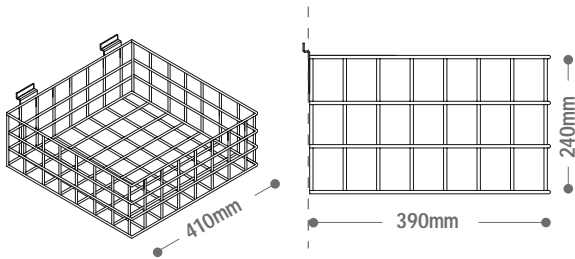
Picture Hook / Bin Holder
SWPH1C



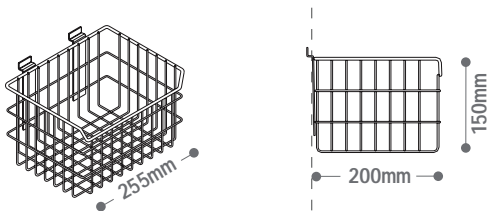
J Hook - hook diameter 5mm
SWJH



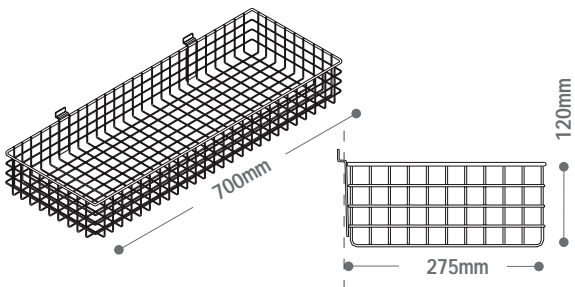
Grid Bin
SWGB1



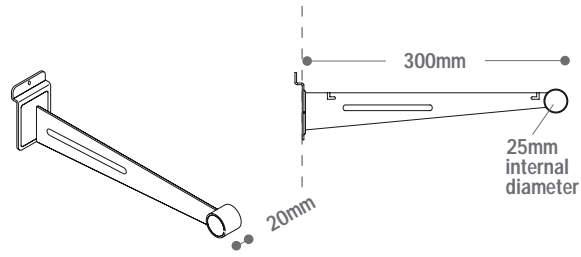
Grid Bin
SWGB10



Grid Bin
SWGB1315

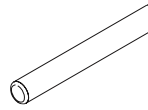


Outerwear Bracket
SWR10BC

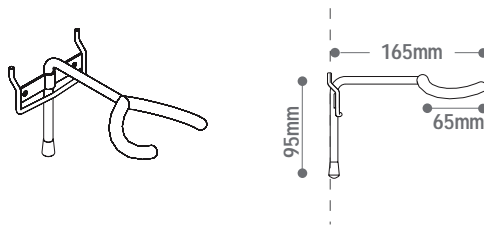


Chrome Rods with end caps - for use with SWR10BC
Tube diameter - 25mm

SWT1200C - 1200mm
SWT2400C - 2400mm
SWT3600C - 3600mm
Other sizes available upon request

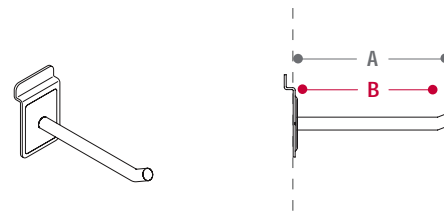


Guitar Holder
SWG H



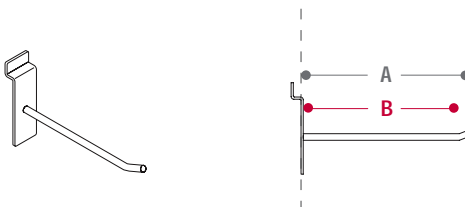
Display Prongs - 13mm diameter

	A	B
SWMP150C - 160mm		125mm
SWMP250C - 260mm		225mm



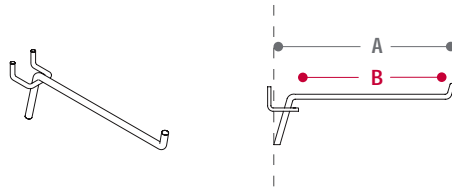
Display Prongs - 6mm diameter

	A	B		A	B
SWPB75C - 85mm		65mm	SWPB200C - 210mm		185mm
SWPB100C - 110mm		85mm	SWPB230C - 230mm		220mm
SWPB150C - 160mm		135mm	SWPB300C - 300mm		290mm

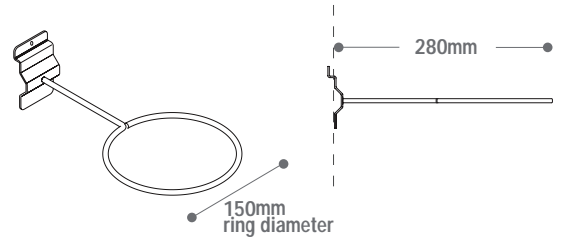


Single Pegboard Prongs - 6mm diameter

	A	B
PB76C	80mm	50mm
PB152C	165mm	135mm
PB229C	235mm	205mm
PB305C	315mm	285mm

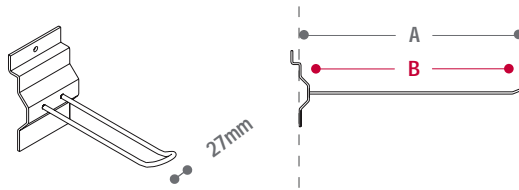


Ball Holder EFB10180

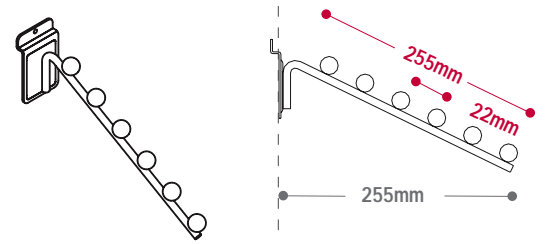


Europrongs

	A	B
EFP10150	160mm	125mm
EFP10230	240mm	205mm
EFP10300	310mm	275mm



6 Ball Sloping Blouse Arm SWBA6C

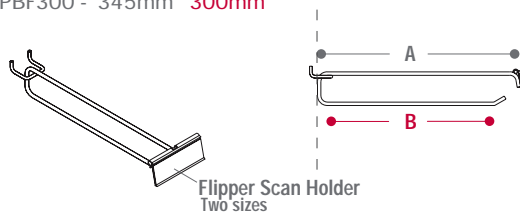


Pegboard Flipper Prongs

	A	B
PBF75	95mm	75mm
PBF150	170mm	150mm
PBF230	250mm	210mm
PBF300	345mm	300mm

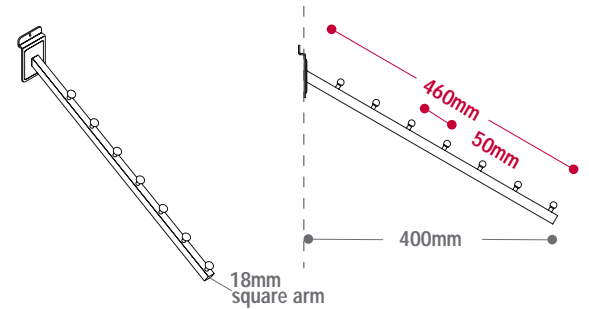
Flipper Scan Holders

PBFL50	26x50mm
PBFL80	26x80mm



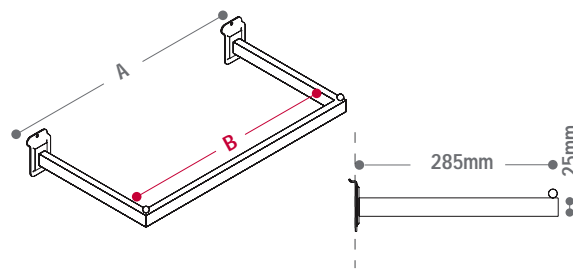
Flipper Scan Holder
Two sizes

7 Ball Sloping Blouse Arm SW7BPC

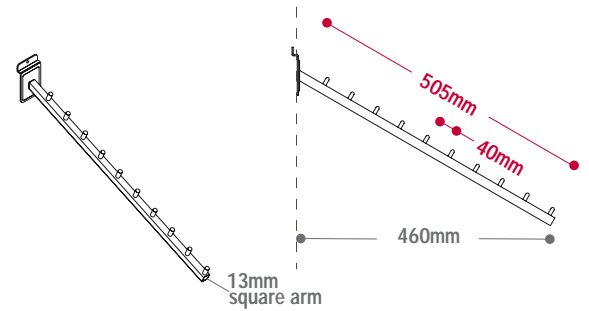


Side Hang Rails

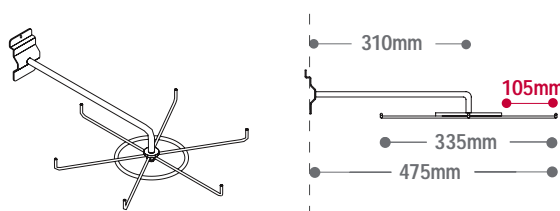
	A	B
SWSHR600	550mm	485mm
SWSHR900	880mm	810mm



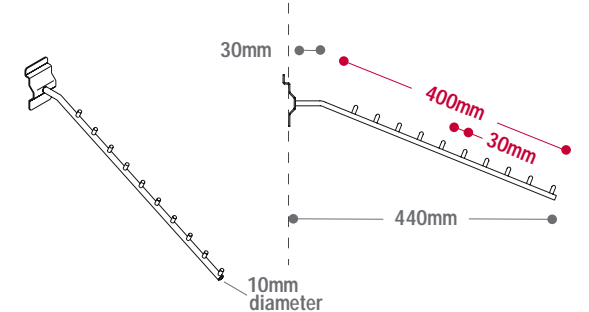
10 Prong Sloping Blouse Arm SWBAF9C



Revolving Display EFB20006

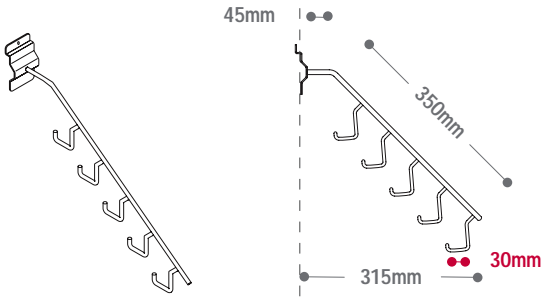


10 Prong Sloping Faceout EFF21010

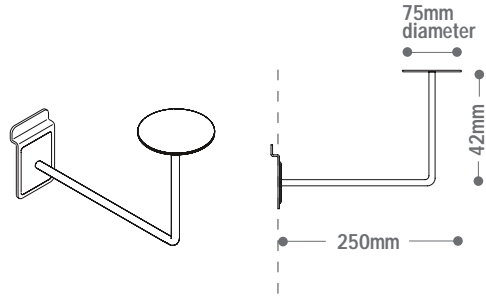


• wall
• merchandising dimension

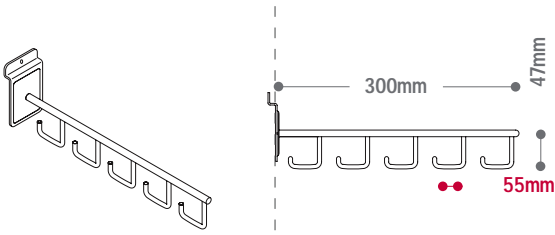
5 "J" Hook Sloping Arm
EFF40005



Hatstand
SWHS1

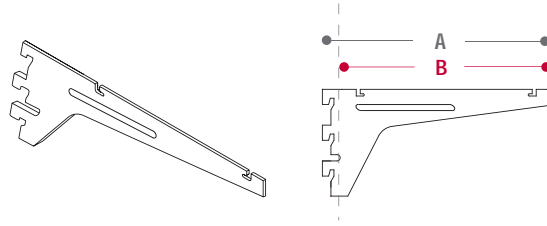


5 Hook Straight Arm
SWBA5JC



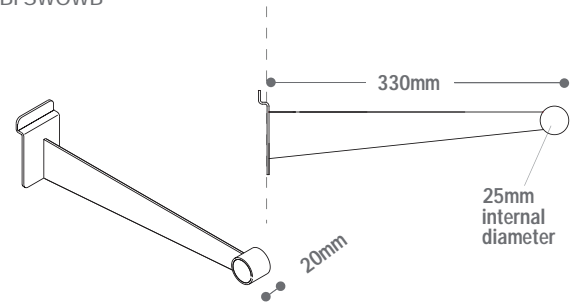
Stripping Straight Brackets - 40mm tooth pitch

	A	B		A	B
BFSSB150C	- 155mm	135mm	BFSSB300C	- 305mm	285mm
BFSSB200C	- 205mm	185mm	BFSSB350C	- 355mm	335mm
BFSSB250C	- 255mm	235mm	BFSSB400C	- 405mm	385mm



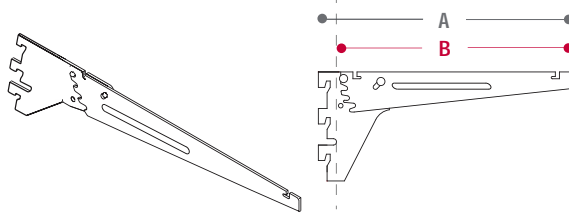
Slatwall Outerwear Bracket

BFSWOWB



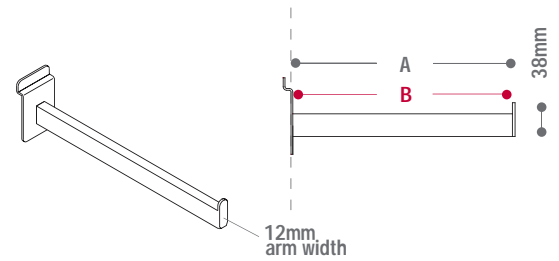
Stripping Adjustable Brackets - 40mm tooth pitch

	A	B		A	B
BFSAB150C	- 180mm	155mm	BFSAB300C	- 330mm	305mm
BFSAB200C	- 230mm	205mm	BFSAB350C	- 380mm	355mm
BFSAB250C	- 280mm	255mm	BFSAB400C	- 430mm	405mm



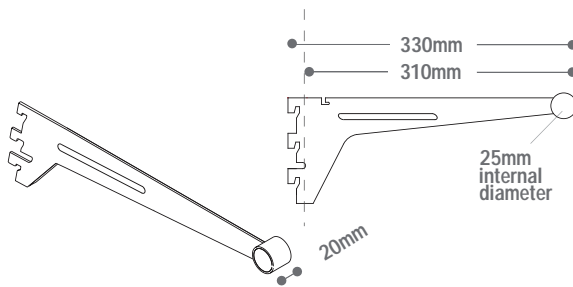
Slatwall Straight Arms

	A	B
BFSWSA250	- 255mm	245mm
BFSWSA300	- 305mm	295mm



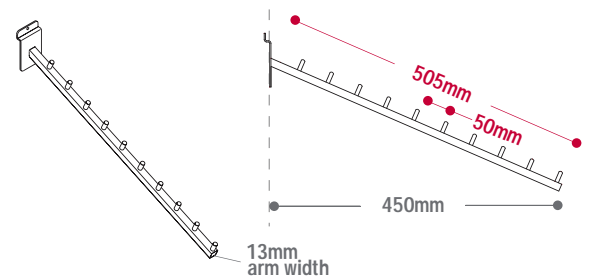
Stripping Ring Bracket - 40mm tooth pitch

BFSRBC



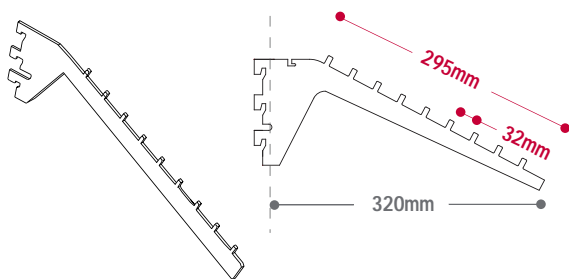
Slatwall Sloping Blouse Arm - 10 Prong

BFSWSBA



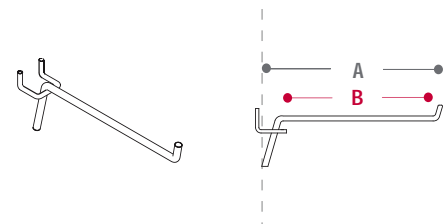
Stripping Waterfall Arm - 9 prong - 40mm tooth pitch

BFSWFC



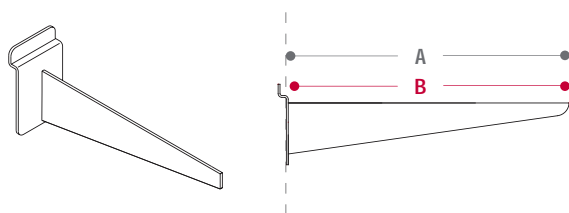
Pegboard Prongs - 3mm diameter

	A	B
BFPB75	- 85mm	55mm
BFPB150	- 160mm	130mm



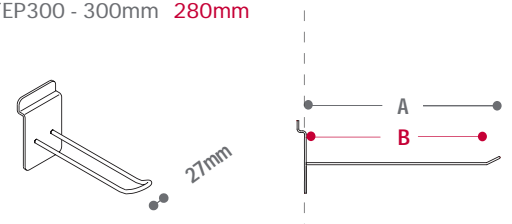
Slatwall Straight Shelf Brackets

	A	B		A	B
BFSWSB150C	- 160mm	155mm	BFSWSB300C	- 310mm	305mm
BFSWSB200C	- 210mm	205mm	BFSWSB350C	- 360mm	355mm
BFSWSB250C	- 260mm	255mm	BFSWSB400C	- 410mm	405mm



Europrongs

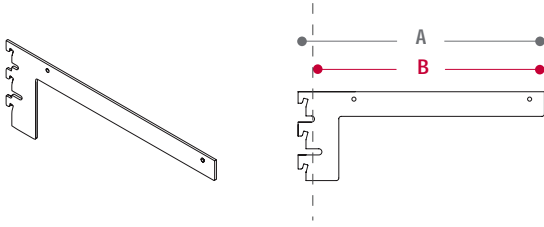
	A	B
BFEP150	- 150mm	130mm
BFEP230	- 230mm	210mm
BFEP300	- 300mm	280mm



• wall
• merchandising dimension

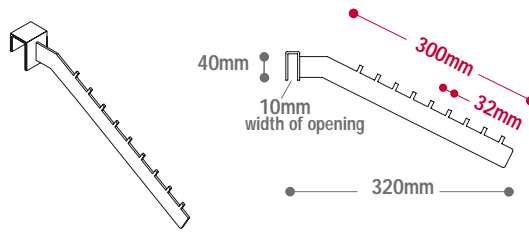
Concealed Stripping Side Shelf Brackets

	A	B
CSSS250	300mm	280mm
CSSS300	350mm	330mm
CSSS350	400mm	380mm



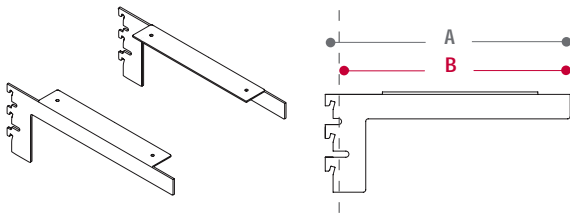
Concealed Stripping Hang Rail Waterfall Arm

CSHRWA



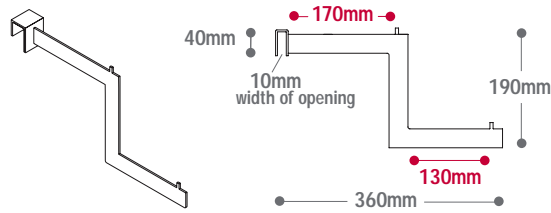
Concealed Stripping Shelf Support Brackets

	A	B
CSSB250L or R	300mm	280mm
CSSB300L or R	350mm	330mm
CSSB350L or R	400mm	380mm



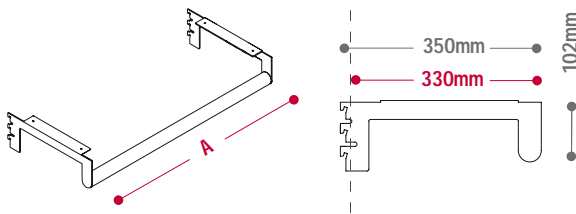
Concealed Stripping Hang Rail Cranked Arm

CSHRCA



Concealed Stripping Shelf Support Brackets with Hang Rails - tube diameter 20mm

	A
CSSSHR6	600mm
CSSSHR12	1200mm



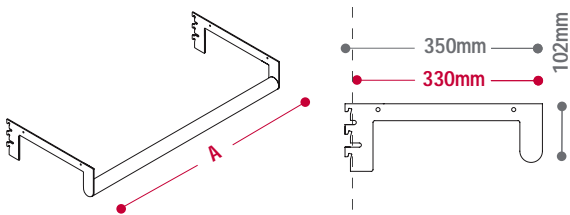
Concealed Stripping Hang Rail Display Prong

CSHRDP



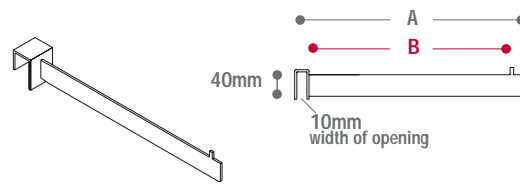
Concealed Stripping Side Shelf Brackets with Hang Rails - tube diameter 20mm

	A
CSSHR6	600mm
CSSHR12	1200mm



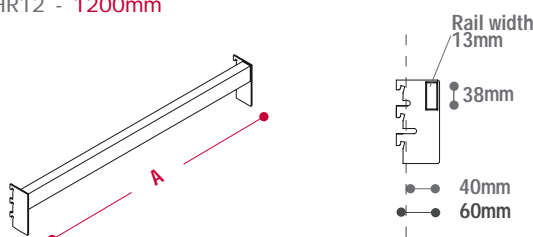
Concealed Stripping Hang Rail Straight Arms

	A	B
CSHRSA250	270mm	230mm
CSHRSA300	320mm	260mm
CSHRSA350	370mm	330mm

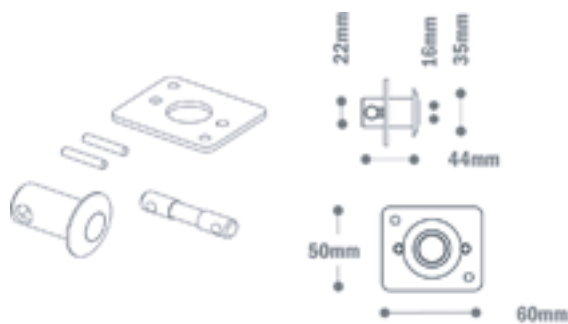


Concealed Stripping Front Hang Rails

	A
CSHR6	600mm
CSHR12	1200mm



Minimo Backplate Set MINBPSB



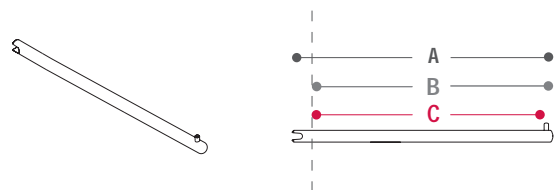
Minimo Backplate Set

Can be used with 16 or 18mm board
A = 14mm or 19mm



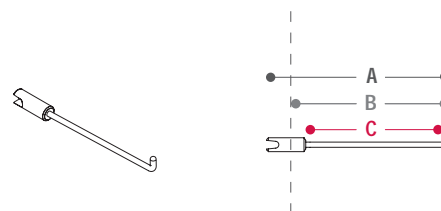
Minimo Straight Arms

	A	B	C
MINSA170 - 210mm	170mm	170mm	160mm
MINSA315 - 355mm	315mm	315mm	300mm



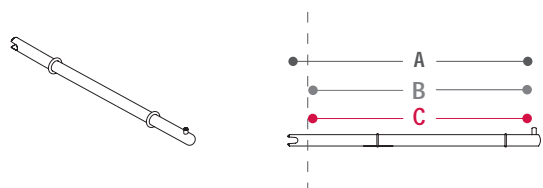
Minimo Display Prongs

	A	B	C
MINDP150 - 165mm	125mm	125mm	110mm
MINDP200 - 215mm	175mm	175mm	160mm

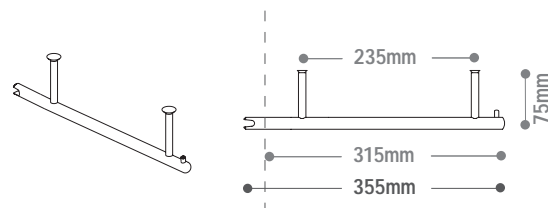


Minimo Straight Arms With O Rings

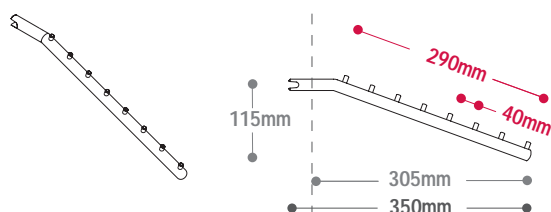
	A	B	C
MINSA170OR - 210mm	170mm	170mm	160mm
MINSA315OR - 355mm	315mm	315mm	300mm



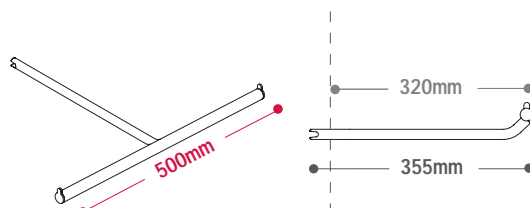
Minimo Shelf Support and Hang Rail Bracket MINSSHR



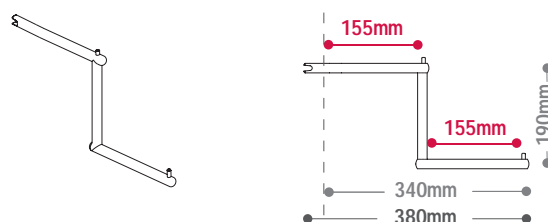
Minimo Waterfall Arm - 8 Stops MINWA8



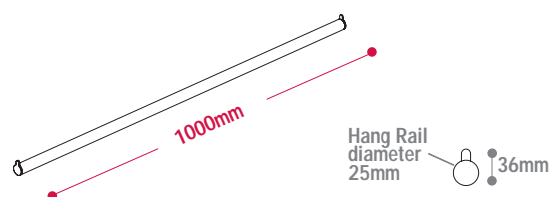
Minimo T Hang Rail MINTHR



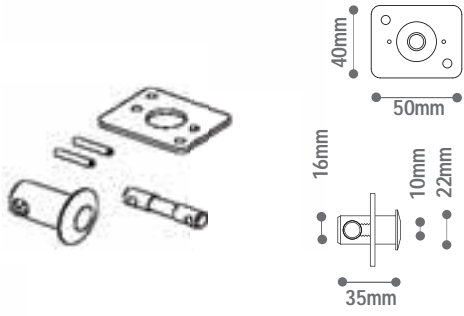
Minimo Cranked Arm MINCA



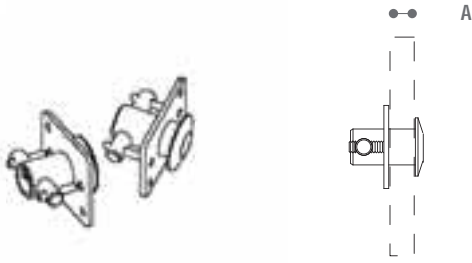
Minimo Hang Rail - 1000mm for use with MINSA's and MINSSHR MINHR



Mini Minimo Backplate Set
MMINBPS

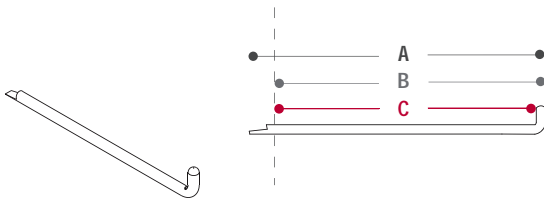


Mini Minimo Backplate Set
Can be used with 16 or 18mm board
A = 16 or 18mm

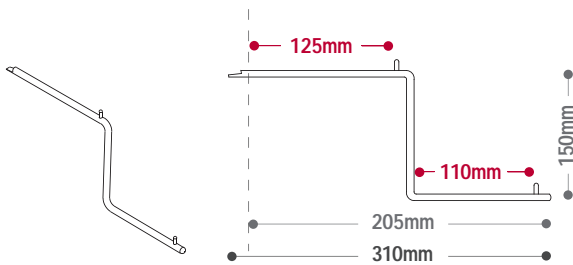


Mini Minimo Display Prongs

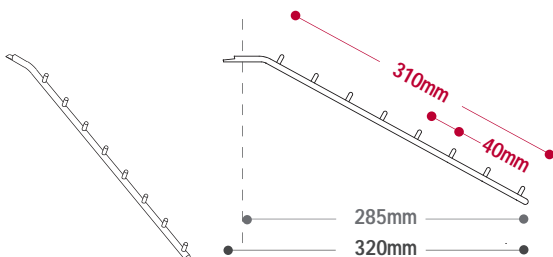
	A	B	C
MMINDP	- 260mm	170mm	135mm
MMINDP300	- 320mm	290mm	280mm



Mini Minimo Cranked Arm
MMINCA

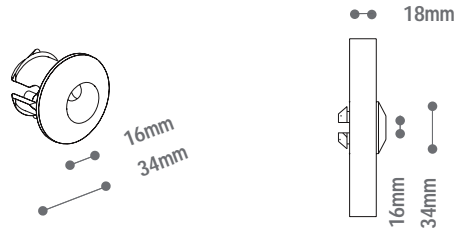


Mini Minimo Waterfall
MMINWA



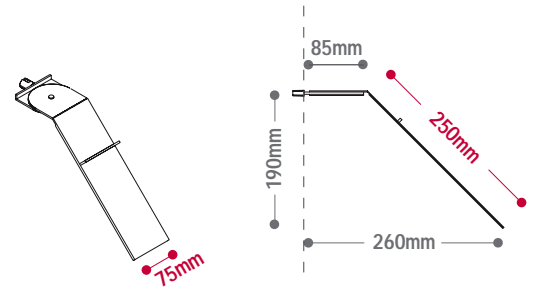
Ultrapuck Backplate

UPPUCKC (Clear) UPPUCKR (Red)
 UPPUCKB (Black) UPPUCKW (White)
 UPPUCKG (Grey)



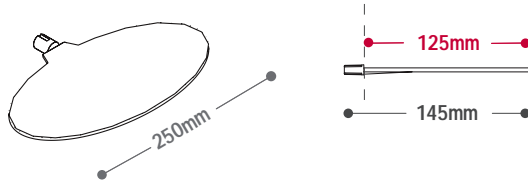
Swivel Shoe Display - heel stop

UPSSDHC (Clear)



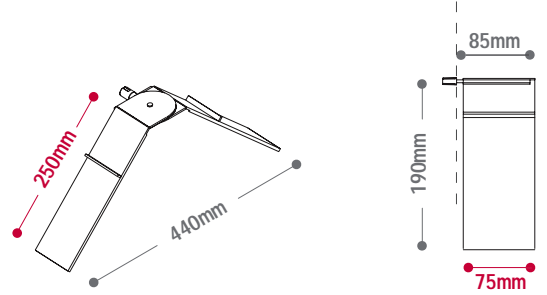
Oval Shelf 250mm

UPOS250C (Clear)
 UPOS250W (White)



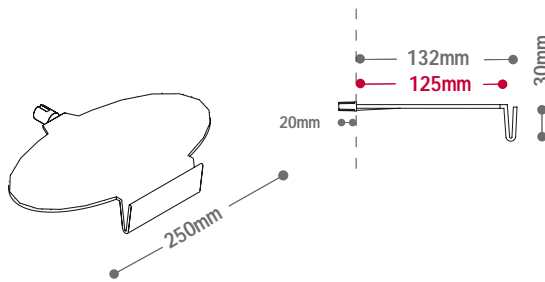
Double Swivel Shoe Display - heel stop

UPSSDHDC (Clear)



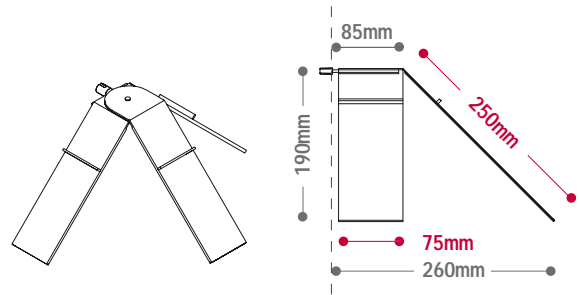
Oval Shelf 250mm with ticketing lip

UPOS250C (Clear)



Triple Swivel Shoe Display - heel stop

UPSSDHTC (Clear)



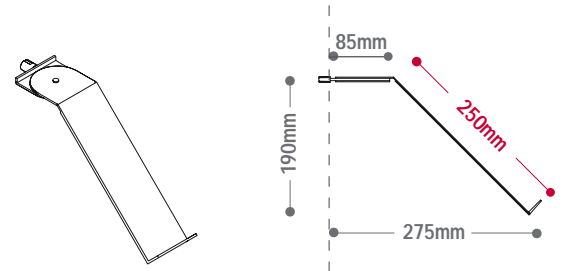
Hanger Support

UPHSC (Clear)



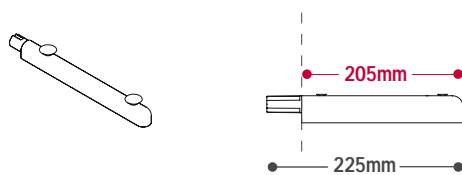
Swivel Shoe Display - 30mm toe stop

UPSSDTC (Clear)



Shelf Support

UPSSC (Clear)

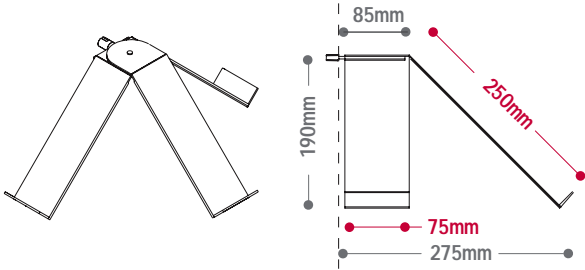


Double Swivel Shoe Display - 30mm toe stop

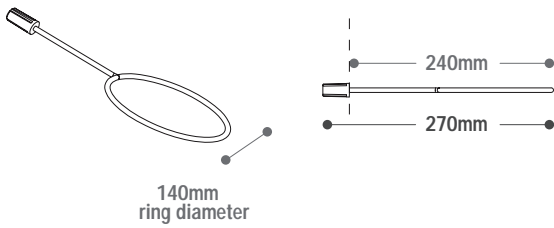
UPSSDTDC (Clear)



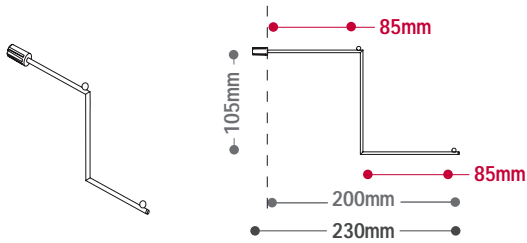
Triple Swivel Shoe Display - 30mm toe stop triple
UPSSDTTC (Clear)



Metal Ball Holder
UPBH (Chrome)

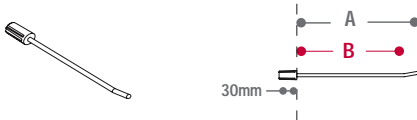


Metal Cranked Arm
UPCA (Chrome)



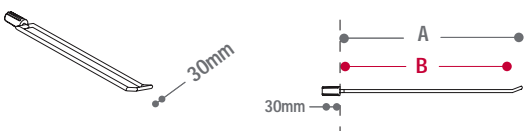
Metal Prongs - Chrome - 5mm diameter

	A	B
UPP100 - 100mm	100mm	80mm
UPP150 - 150mm	150mm	130mm
UPP200 - 200mm	200mm	180mm



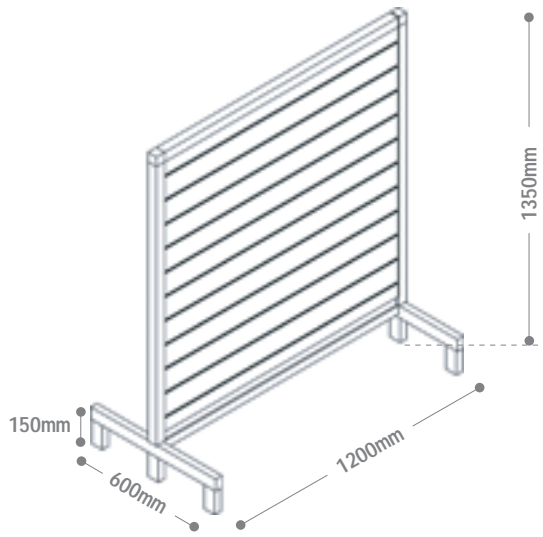
Metal Loop Prongs - Chrome

	A	B
UPEP100 - 100mm	100mm	80mm
UPEP150 - 150mm	150mm	130mm
UPEP200 - 200mm	200mm	180mm

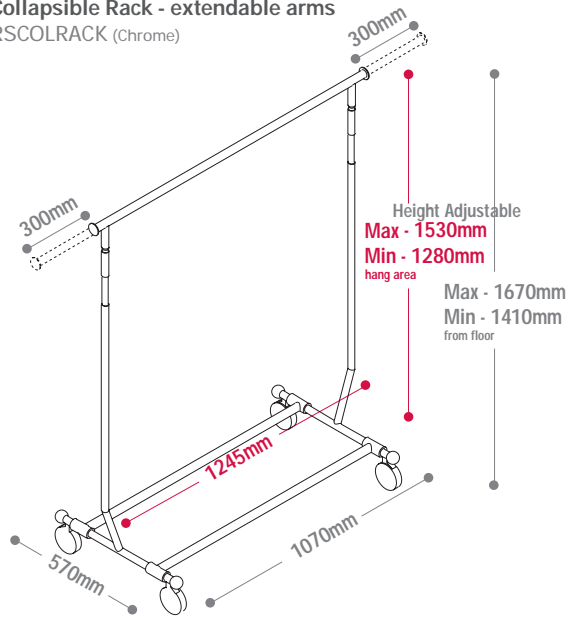


Racks Range

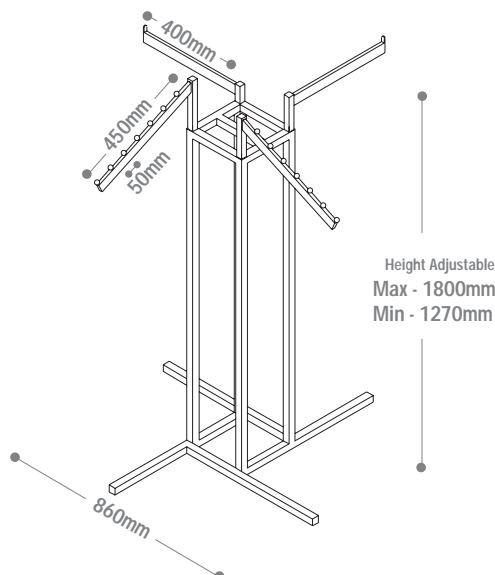
Metal Gondola Frame with elevated legs - frame only
 (Slatwall® and other infill panels additional)
 SP3 (White)
 Other colours to order



Collapsible Rack - extendable arms
 RSCOLRACK (Chrome)

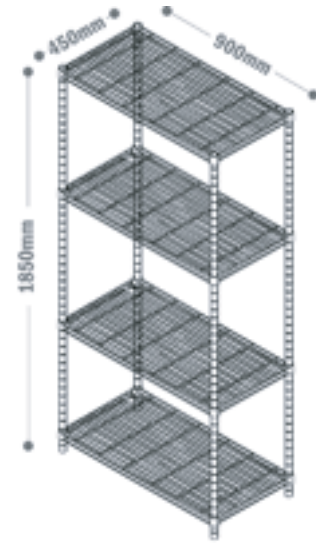


4 Way Star Rack
 RS4WAY (Chrome)

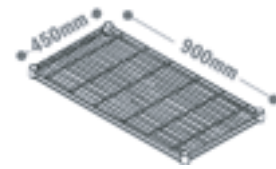


Grid Shelving Unit

GRIDPACKA - includes
 4 x 1800mm posts & 4 x shelves 450x900mm (Chrome)

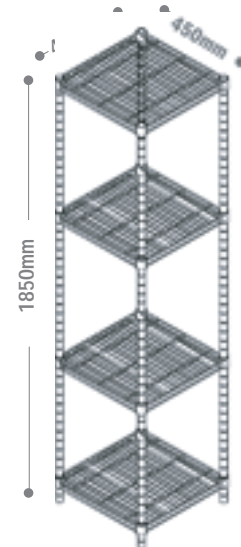


Additional Shelves
 GRIDSHELFA - 450x900mm (Chrome)

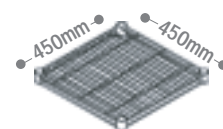


Grid Shelving Unit

GRIDPACKB - includes
 4 x 1800mm posts & 4 shelves 450x450mm (Chrome)

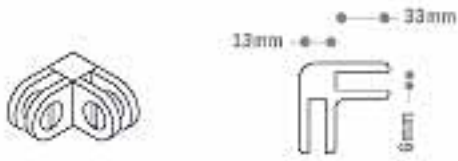


Additional Shelves
 GRIDSHELFB - 450x450mm (Chrome)

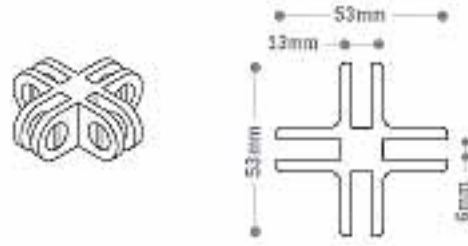


Glass Binning Clip Range

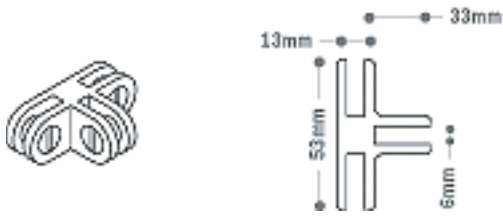
2 Way Glass Binning Clip
GBC2



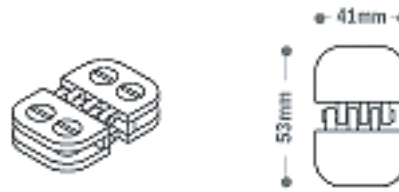
4 Way Glass Binning Clip
GBC4



3 Way Glass Binning Clip
GBC3

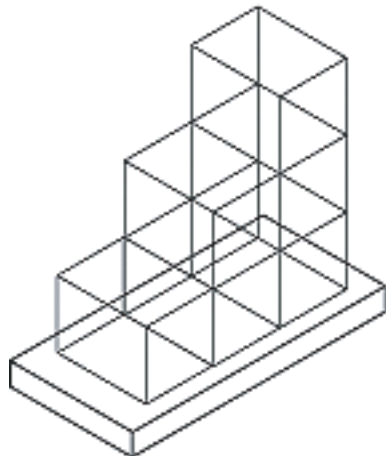
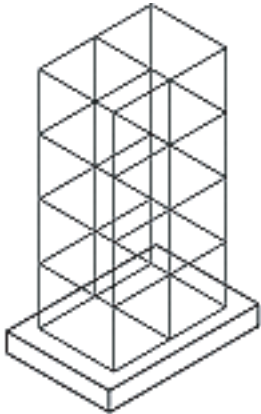


Hinged Glass Binning Clip
GBCH

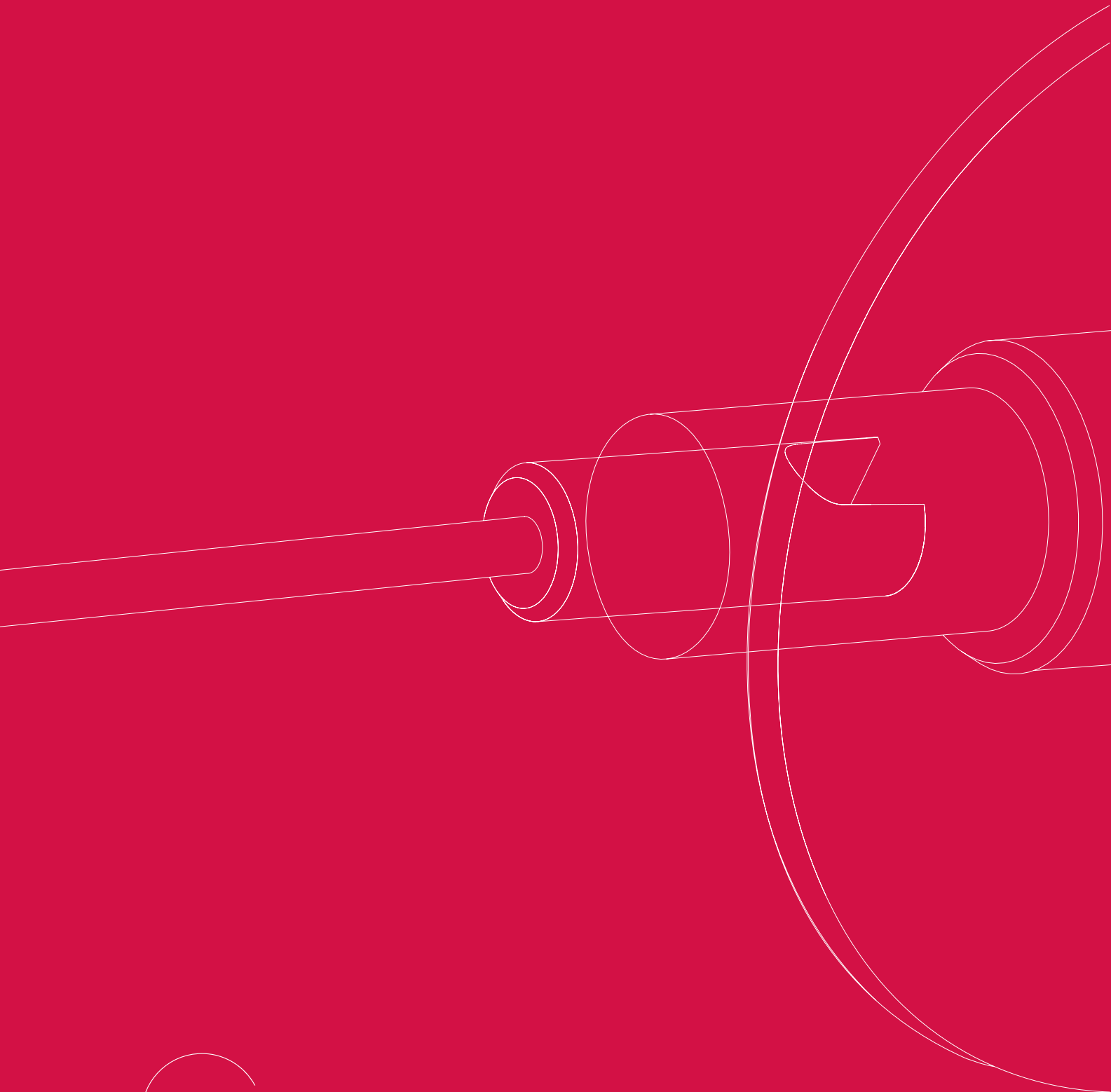


GLASS CUBE UNITS

Glass Cube Display configurations can be made to the size, shape and height to meet your display requirements. Following are examples of display configurations. Your ASI sales consultant can assist you with sketching your preferred design specifications and costings.



Applications: Construction of glass cube display units using 5mm glass
Finishes: Chrome



| National Dealer Network 1300 SLATWALL | www.asionline.com.au | contact@asionline.com.au |

Distributed by:

Slatwall®, Eyeline®, PostPlus®, Cable®, Puck®, Slatmesh®, Ultrapuck® and Tile® are all Registered Trademarks of Trishul Pty Limited with patents granted or pending worldwide for these products along with Minimo, Mini Minimo and Smartrack. ASI (VIC) Pty Limited reserves the right to revise the brochure and all specifications contained herein without notice. Dimensions where stated are in millimetres and are nominal. © 2006 ASI (VIC) Pty Limited